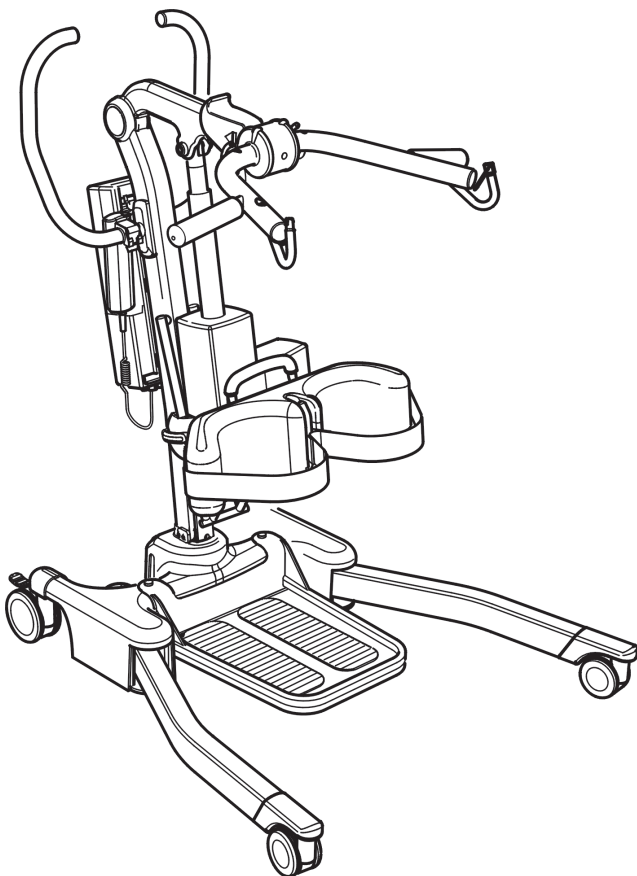


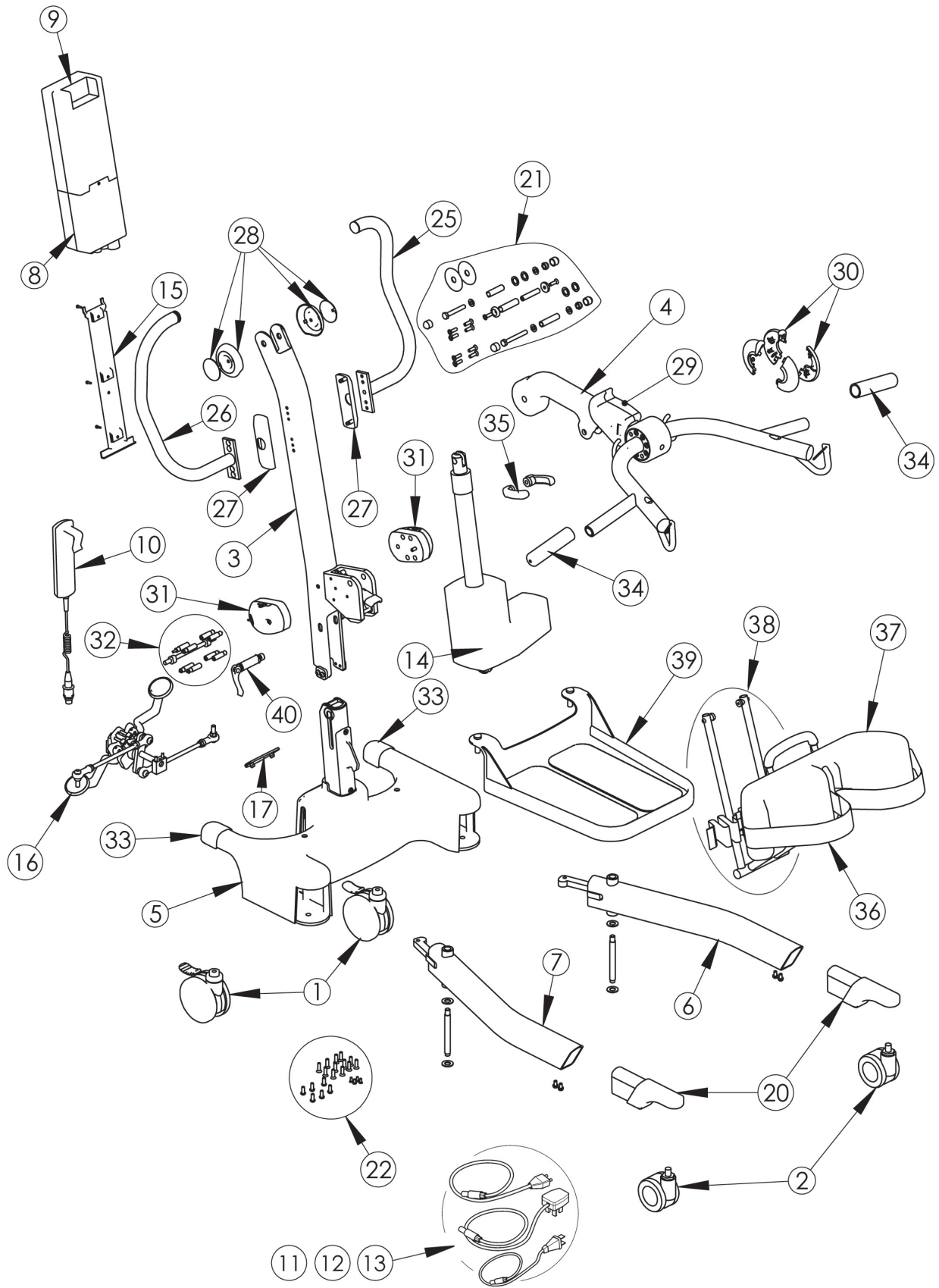
Oxford[®]/Hoyer[®]

Oxford[®]/Hoyer[®] Journey
Parts Manual



Redefining patient handling

NO.	PART NUMBER	DESCRIPTION	QTY	SERIAL NO.
1	0Y0066	100mm rear castor (braked) (Pack of 2)	2	
2	0Y0109	75mm front castor (non-braked) (Pack of 2)	2	
3	0Y0680	Mast assembly (including latch mechanism) (Oxford)	1	
3	0Y0679	Mast assembly (including latch mechanism) (Hoyer)	1	
4	0Y0664	Cow horn and boom assembly (Oxford)	1	
4	0Y0663	Cow horn and boom assembly (Hoyer)	1	
5	0Y0660	Base assembly (inc. base casting, bottom plate, welded post & labels, not internal parts)	1	
6	0Y0675	Left leg extrusion (including fixings)	1	
7	0Y0676	Right leg extrusion (including fixings)	1	
8	0Y0678	Linak controller	1	
9	0Y0067	Linak battery	1	
10	0Y0111	Linak hand control	1	
11	0Y0071	Linak charge lead (UK)	1	
12	0Y0114	Linak charge lead (US)	1	
13	0Y0072	Linak charge lead (EU)	1	
14	0Y0677	Linak actuator - 210mm stroke (including location pins, sleeves, cover and labels)	1	
15	0Y0069	Linak battery and controller bracket (including fixings)	1	
16	0Y0669	Foot pedal mechanism complete	1	
17	0Y0042	Foot push pad assembly complete (pack of 2)	2	
18	0Y0668	Decal set (Oxford) not shown - no serial number labels	1	
19	0Y0667	Decal set (Hoyer) not shown - no serial number labels	1	
20	0Y0045	Front castor leg inserts including fixings (plastic) (pack of 2)	2	
21	0Y0659	Upper fixings kit	1	
22	0Y0661	Base fixings kit (all bolts, screws and fixings)	1	
23	0Y0070	Handset clip (not shown) (pack of 2)	2	
24	0Y0053	Linak charger and stand assembly without charging lead (not shown)	1	
25	0Y0684	Push handle - left hand	1	
26	0Y0685	Push handle - right hand	1	
27	0Y0683	Push handle covers (pack of 2)	2	
28	0Y0682	Pivot joint plastic cover (includes inner and outer piece) (pack of 2 sets)	2	
29	0Y0662	Cover cow horn adjustment slide (left and right part)	1	
30	0Y0666	Cow horn indicator cover (left and right hand)	1	
31	0Y0674	Kneepad rod adjustment clamp	1	
32	0Y0671	Kneepad adjustment fixings	1	
33	0Y0686	Rear base cast cover (pack of 2)	2	
34	0Y0665	Cow horn handle grips (pack of 2)	2	
35	0Y0672	Kneepad adjustment handle (pack of 2)	2	
36	0Y0500	Leg strap	1	
37	0Y0499	Knee pad assembly & leg strap (including fixing bolts)	1	
38	0Y0673	Kneepad bracket (not including kneepad or leg strap) (not shown)	1	
39	0Y0670	Foot tray assembly	1	
40	0Y0681	Mast lock pin and handle	1	
41	0Y0687	Sling retaining clip (pack of 10) (not shown)	10	
42	0Y0128	Castor tightening wrench (not shown)	1	





Joerns Healthcare Ltd

Drakes Broughton Business Park, Worcester Road
Drakes Broughton, Pershore, Worcestershire
WR10 2AG, United Kingdom
Tel: +44 (0)844 811 1156
Fax: +44 (0)844 811 1157
info@joerns.co.uk
www.joerns.co.uk

Joerns Healthcare Inc

5001 Joerns Drive
Stevens Point, WI 54481-5040
USA
715-341-3600
800-826-0270
Fax: 715-341-3962
www.joerns.com