

Oxford[®]

Oxford[®] Stature User Instruction Manual & Warranty

To avoid injury, read user manual prior to use.

Oxford[®] Stature Manuel de l'utilisateur et garantie

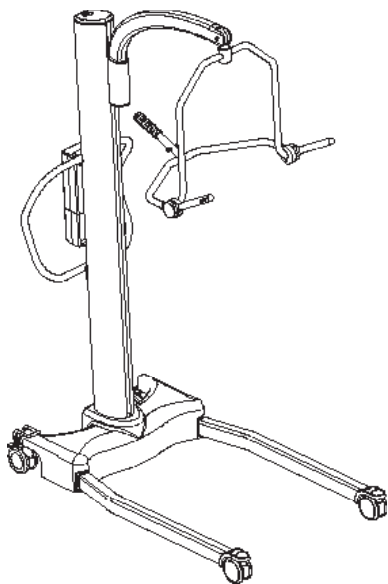
Afin d'éviter tout accident, veuillez lire attentivement la notice avant utilisation.

Oxford[®] Stature Manual de Instrucciones y Garantía para el Usuario

Para evitar posibles daños, lea previamente el manual de usuario.

Oxford[®] Stature Benutzerhandbuch und Garantie

Um Verletzungen zu vermeiden, lesen Sie bitte die Gebrauchsanweisung vor der ersten Benutzung.



 Joerns
Healthcare

Redefining patient handling

Manufacturer's Contact Details

Oxford®

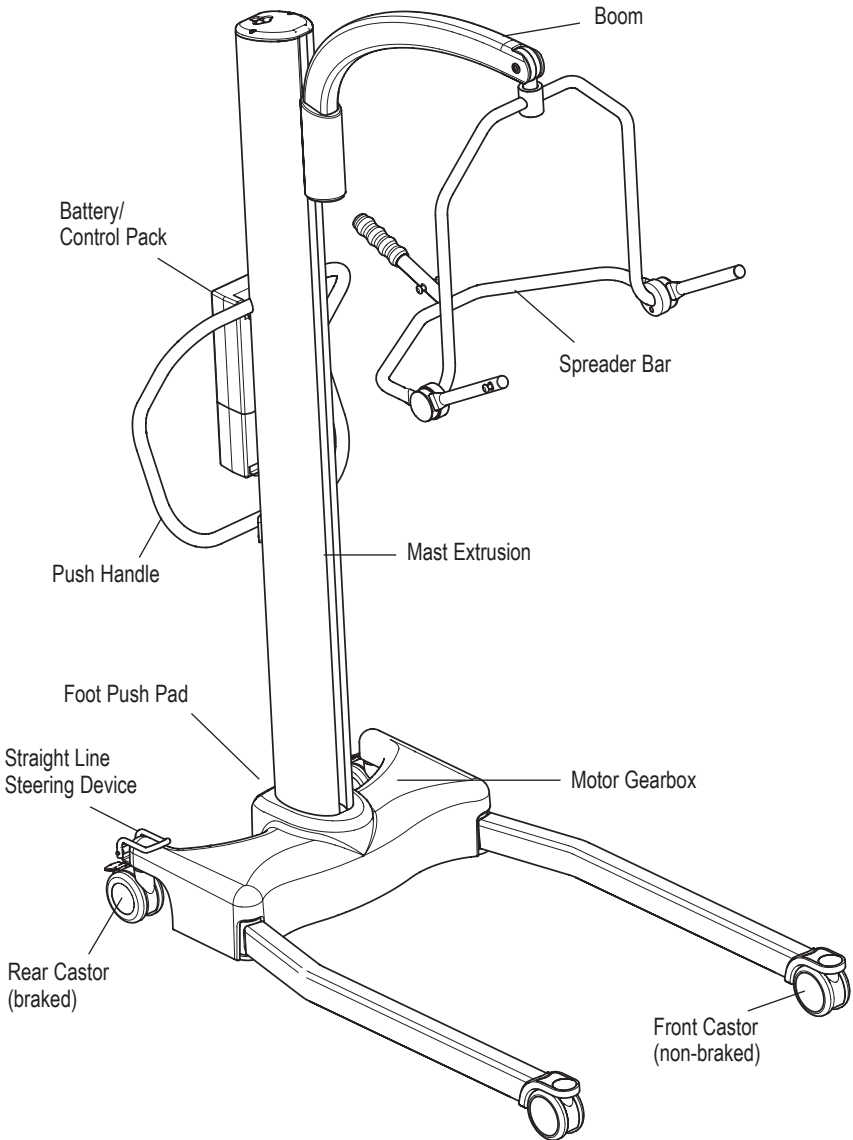
EUROPE

Joerns Healthcare Limited
Drakes Broughton Business Park, Worcester Road
Drakes Broughton, Pershore, Worcestershire
WR10 2AG United Kingdom
Tel: 0844 811 1156 • Fax: 0844 811 1157
info@joerns.co.uk • www.joerns.co.uk

Contents

1. Oxford Stature Patient Lift	3
2. Introduction: About Your Lift	4
3. Assembly and Commissioning Instructions	5
4. Safety Precautions.....	9
5. Operating Instructions.....	11
6. Removal of Spreader Bar/Cradle Systems	15
7. Charging Instructions.....	17
8. Maintenance Schedule & Daily Check List.....	19
9. Technical Specifications	22
10. Warranty	24

1. Oxford Stature Patient Lift



**READ AND UNDERSTAND THE INSTRUCTIONS IN THIS MANUAL
BEFORE USING YOUR "STATURE"**

2. Introduction: About Your Lift

The Oxford Stature is an electrically operated patient lift. Each Stature lift is fully assembled load tested and certified before being packed/shipped.

The packing consists of a strong, purpose built carton that is used for both export and domestic markets to ensure the safe arrival of the lift.

A number of documents are supplied in a wallet which is packed with each lift and should be kept safely for future reference.

- USER MANUAL
- TEST CERTIFICATE
- PACKING CHECK LIST
- CUSTOMER SATISFACTION CARD (Europe only)
- DEALER GUARANTEE CARD (Europe only)

The TEST CERTIFICATE is an important document and may be required for your insurance records. It is valid for six months and after it has expired the lift should be inspected and serviced per the maintenance schedule by a competent authorised engineer.

Servicing and periodic testing can be carried out by your authorised supplier. Please ensure your lift is included in their maintenance schedule. If you are at all unsure what your local market servicing requirements are, please check with your dealer and/or a local government agency.

The Oxford Stature is suitable for the following CATEGORIES of lift within the working parameters of the lifts specified in the TECHNICAL SPECIFICATIONS (see contents page).

- Category A - Wheelchair
- Category B - Bed
- Category C - Bath (dependent upon setting)
- Category D - Toilet/Shower Chair
- Category E - Floor
- Category F - 90 degree Rotation

The Oxford Stature is suitable for patients in the SITTING, SITTING/RECUMBENT and RECUMBENT positions. The examples of slings suitable for use with this device are listed as follows:

- Oxford Quickfit
- Oxford Full Back
- Oxford Quickfit Deluxe
- Oxford Long Seat
- Oxford Access
- Oxford Comfort
- Oxford Silkfit

The CE mark:



The Oxford Stature carries the CE mark and complies with the following EC directives:

- Medical Device Directive (93/42/EEC)
- EMC Directive (89/336/EEC)
- Low Voltage Directive (73/23/EEC)



3. Assembly and Commissioning Instructions

CARTON CONTENTS

Place the carton in a clear working area and open carefully. The carton contains:

- Oxford STATURE LIFT
- WALLET CONTAINING DOCUMENTS
- HAND CONTROL
- BATTERY PACK
- DESK TOP CHARGER/STAND/LEAD
- FASTENER KIT (INCLUDES SCREWS, ALLEN KEY, HEX SOCKET, CAPPING PLATE)

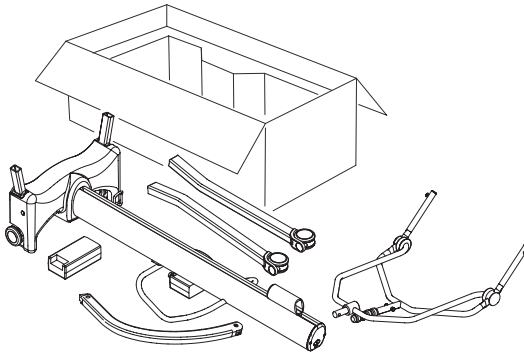
WARNING

The Oxford Stature is heavy and will need to be lifted with care. You may need assistance to lift the Oxford Stature from the carton.

ASSEMBLY INSTRUCTIONS

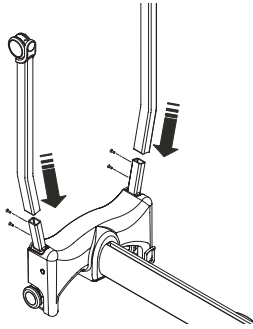
Remove all the parts from the carton and place on the floor, taking care to protect the finish from damage.

1. Place the chassis and mast (which are connected) in a clear space. The mast and chassis should be rested on the push handle, which will ensure the product remains stable while connecting the legs and boom to the product.



2. Fit the legs to the chassis using two 6mm countersunk screws per leg as provided.

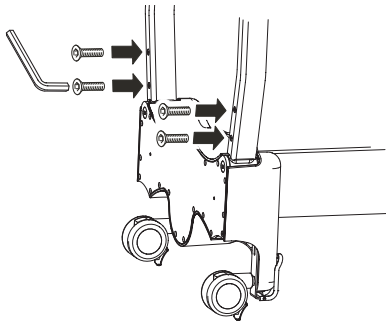
NOTE: There is a left and a right leg and they are configured as shown below



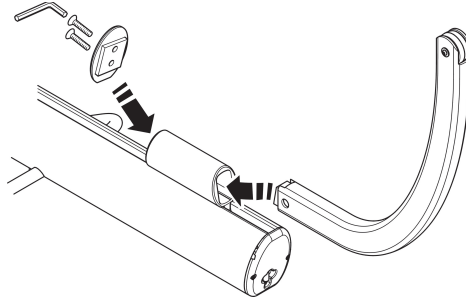
3. Using Allen Key provided, tighten the 6mm screws located on each side of the chassis.

⚠ WARNING

The screws should be secured firmly.

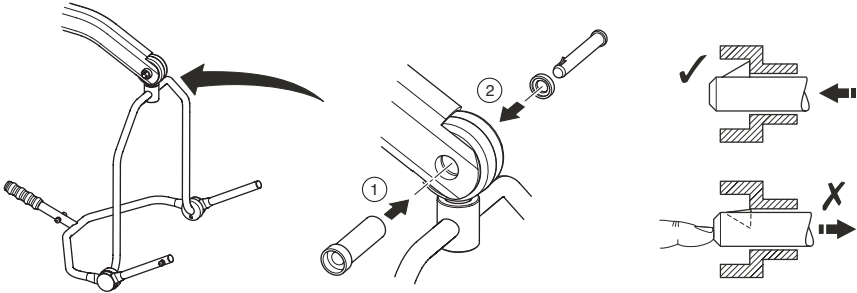


4. Insert the curved boom section into the boom carriage. Secure the assembly by inserting the two 6mm countersunk screws into the blue capping plate provided in the fastener kit, as shown below and tighten firmly.





5. Attach four point positioning cradle to the lift boom by inserting the split pin. Ensure pin is secure.

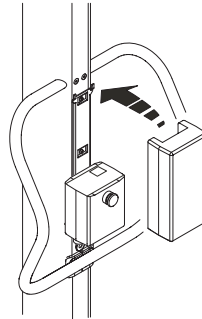
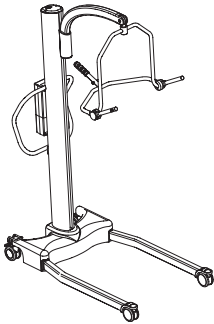


6. Stand the Stature upright and apply the brakes.

⚠ WARNING

Be careful when lifting the Stature to the upright position, as it is heavy.

Fit hand control plug into the bottom of the control box located on the mast, ensure correct alignment to the plug socket. Fit power pack to the lift and make sure the latch holding the pack in place is fully engaged "Click" into place.

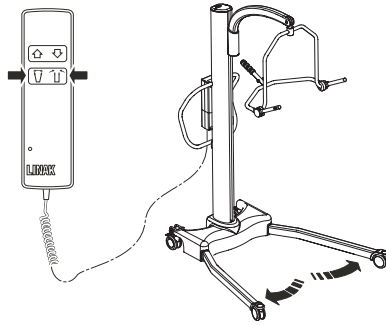


DISASSEMBLY

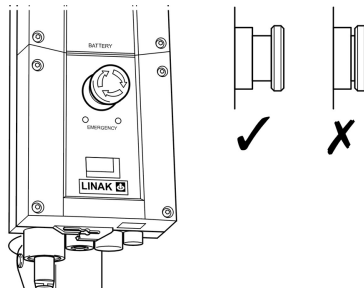
The lift should not be disassembled unless for service, repair or transport if necessary. If disassembly is necessary, follow the assembly instructions in reverse sequence.

ALWAYS CHECK THE FOLLOWING BEFORE OPERATION

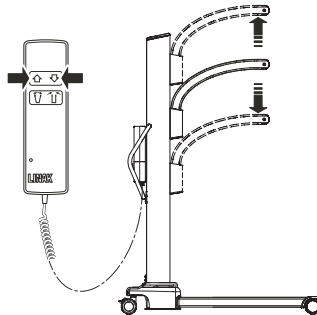
- Push the open and close buttons on the hand control to confirm that the legs of the lift open and close satisfactorily.



- The red emergency stop button, located on the rear of the control box, is in the OFF (out) position.



- Push the up and down buttons on the hand control to confirm that the boom rises and lowers satisfactorily.



4. Safety Precautions

Please read and follow the safety precautions listed below. Following these few basic safety precautions will make lifting operations easy and trouble free.

WARNING

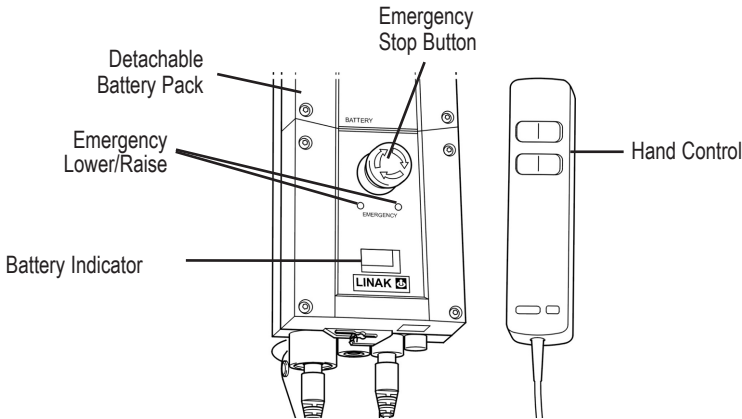
- **ALWAYS** check the safe working load of the lift is suitable for the weight of the patient.
- **DO NOT** exceed the safe working load of the hoist, as an electrical current limiting device will activate, preventing use of the hoist.
- **ALWAYS** plan your lifting operations before commencing.
- **ALWAYS** carry out the DAILY CHECK LIST before using the lift.
- **ALWAYS** familiarise yourself with the operating control and safety features of a lift before lifting a patient.
- **DO NOT** use a sling unless it is recommended for use with the lift.
- **ALWAYS** check the sling is suitable for the particular patient and is of the correct size and capacity.
- **NEVER** use a sling which is frayed or damaged.
- **ALWAYS** fit the sling according to the instructions provided (user instructions).
- **ALWAYS** ensure sling straps **DO NOT** get caught around the legs of the hoist.
- **ALWAYS** carry out lifting operations according to the instructions in the user manual.
- **NEVER** disconnect or bypass a control or safety feature because it seems easier to operate the lift.
- **DO NOT** lift a patient with the castor brakes on. Always let the lift find the correct centre of gravity.
- **DO NOT** attempt to manoeuvre the lift by pushing on the mast, boom or patient.
- **ALWAYS** manoeuvre the lift with the push handle, located on the mast. A foot push pad is also provided on the base of the hoist.
- **ALWAYS** lower the patient to the lowest comfortable position before transfers.
- **DO NOT** push a loaded lift at speeds which exceed a slow walking pace (3 Km/hour 0.8 metres/second).

- **DO NOT** push the lift over uneven or rough ground. Particularly if loaded.
- **DO NOT** attempt to push/pull a loaded lift over a floor obstruction.
- **NEVER** force an operating/safety control. All controls are easy to use and do not require excessive force.
- **DO NOT** park a loaded lift on ANY sloping surface.
- **DO NOT** use electric lifts in a shower.
- **DO NOT** charge an electric lift in a bathroom or shower room.
- **DO NOT** lift a patient unless you are trained and competent to do so.
- **YOUR** lift is for patient lifting. **DO NOT** use it, or allow it to be used, for any other purpose.
- **DO NOT** bump the lift down steps, loaded or unloaded.
- **DO NOT** attempt to negotiate a loaded lift on a slope which exceeds 1:12 (approximately 5 degrees).
- **DO NOT** attempt to negotiate a slope without a second helper being present.
- **DO NOT** use in a wet or corrosive environment such as poolside locations.
- **DO NOT** use on extra thick pile carpet when the lift is fully loaded.
- **NEVER** operate lift with loose/worn or missing parts/fasteners.



5. Operating Instructions

OPERATING CONTROLS



1. Leg adjustment

The legs on the Oxford Stature are electrically adjustable for width. The legs can be opened to enable access around armchairs or wheelchairs. For transferring and negotiating narrow doorways and passages the lift legs should be in the closed position.

Electric leg adjustment is achieved by pressing the appropriate buttons on the hand control. The legs will be locked whenever the hand control switch is released.

2. Castors and Braking

The lift has two braked castors which can be applied for parking. When lifting, the castors should be left free and un-braked. The lift will then be able to move to the centre of gravity. If the brakes are applied it is the patient that will swing to the centre of gravity and this may prove disconcerting and uncomfortable. Attached to the rear castor is a straight line steering device, which when applied to the castor will facilitate straight line movement.

3. Raising and lowering the boom

The movement of the boom carriage is achieved by a powerful motor gearbox, which is controlled by a simple hand control unit. The hand control has two buttons with directional arrows UP and DOWN $\uparrow\downarrow$. The motor gearbox stops automatically at the limit of travel in both directions. The hand control plugs into a socket at the base of the control box.

SAFETY NOTE: The downward movement of the boom will stop if the lift senses that the patient has encountered an obstruction.

4. Emergency Stop

The red Emergency Stop Button is located on the front of the control box and is activated by pressing in. This will cut all power to the lift and only be reset by twisting the button anticlockwise and releasing.

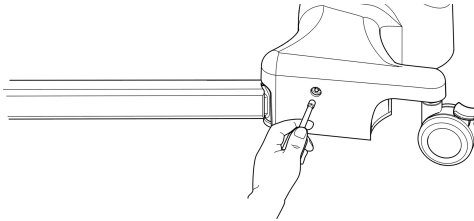
5. Electrical Emergency Down/Up

Emergency lower (down) and raise (up) buttons are provided at the front of the control box. This is operated by inserting a ballpoint pen into the button highlighted $\uparrow\downarrow$. This will bring the boom up or down should the hand control fail at any time.

6. Mechanical Emergency Down

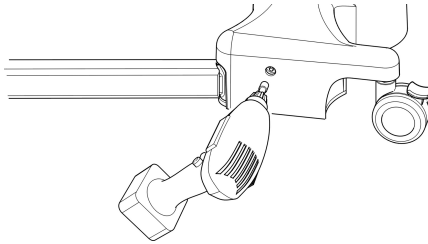
In the case of a complete electrical failure the Stature lift is fitted with mechanical lowering device. This device is located on the left hand side of the lift's chassis.

The lowering mechanism is operated by inserting a 6mm Hex socket into the aperture and onto the mechanism turning clockwise to raise the lift and anticlockwise to lower the lift. This can be done manually with a socket wrench.



Recommendation!

In order to raise or lower the boom more quickly it is recommended that a 6mm Hex socket be used in conjunction with a 1/4 inch drive adaptor and an electric reversible drill (NOTE: do not use hammer setting). This will increase the speed in which the patient can be safely raised and lowered. A 6mm Hex socket is contained in the top cap located on the top of the mast.



NOTE: Before raising or lowering the patient, ensure you have planned your destination carefully. For instance back onto a chair or bed.

7. Batteries

The batteries are protected from deep discharge by a LOW VOLTAGE ALARM. This will sound when the batteries need recharging and the hand control is being operated. It will not sound independently of the hand control being operated. **DO NOT IGNORE THIS WARNING ALARM.** Complete the lifting operation and place the battery on charge (see charging instructions).

8. Slings

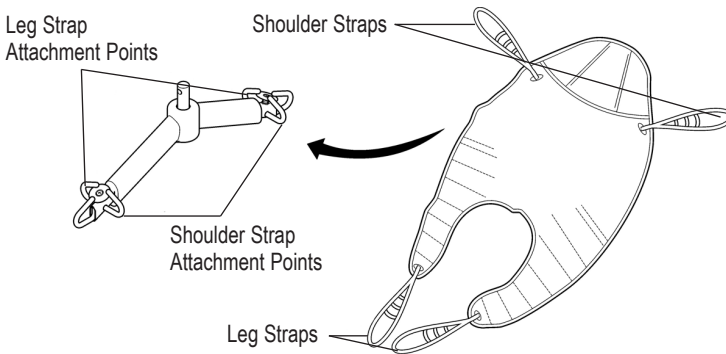
The Oxford Stature has the option of both a 6 point spreader bar and a 4 point positioning cradle. Both systems use different attachment methods and slings.

The 6 point system uses slings with webbing loops, which allow positioning adjustment by selecting different coloured loops. The 4 point cradle uses the Securi3 safety clip system and adjustment is made by rotating the 4 point cradle either upward or down.

Loop strap slings: Oxford Quickfit, Full Back, Quickfit Deluxe, Long Seat, Access and Silkfit.

Safety clip slings: Oxford Comfort

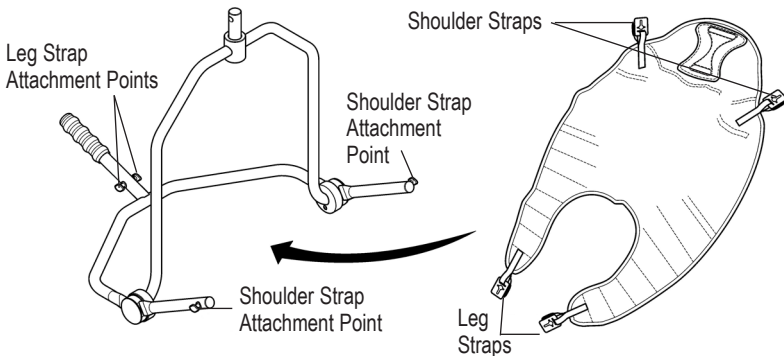
The 6 point system attaches to the spreader bar hooks via loop straps (shown below), each sling is supplied with instructions. Please study the instruction guide before use.



6 Point spreader bar

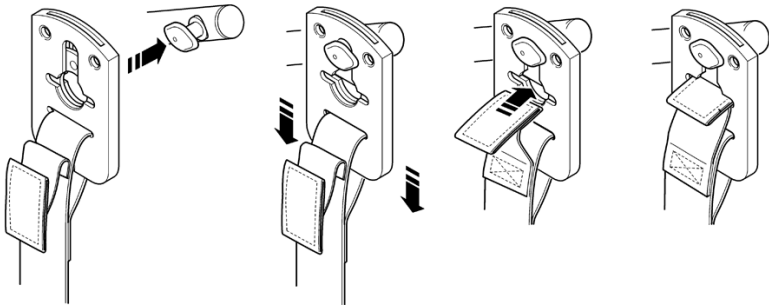
Example of 6 point spreader bar sling with loop attachments.

The four point cradle sling attaches to the cradle studs via a safety clip system (shown below), each sling is supplied with instructions. Please study the instruction guide before use.



4 point positioning cradle

Example of 4 point cradle sling with safety clip system.



Securi3 sling attachment system

Example of installation.

NOTE: For detailed fitting instructions, please refer to the user guide supplied with each sling.

⚠ WARNING

Joerns Healthcare recommends that slings be checked regularly and particularly before use for signs of fraying or damage. **DO NOT** use slings that are worn or damaged.

⚠ WARNING

OXFORD RECOMMENDS THE USE OF GENUINE OXFORD PARTS. Oxford sling and lift products are designed to be compatible with one another. For country specific guidance on sling use and compatibility, please refer to the sling label or contact your local market distributor or Joerns Healthcare.

⚠ WARNING

Refer to maximum weight capacity of lift. Sling capacity is limited by the maximum capacity of the lift.



6. Removal of Spreader Bar/Cradle Systems

FOLLOW THESE INSTRUCTIONS EXACTLY

Your Stature lift has the option of using both a 6 point spreader bar and 4 point positioning cradle. The removal of either of these systems is completed easily by the use of a quick-release pin. This is done quickly and easily, but you must read the following safety instructions to ensure the spreader bar/cradle is safely locked into position before use.

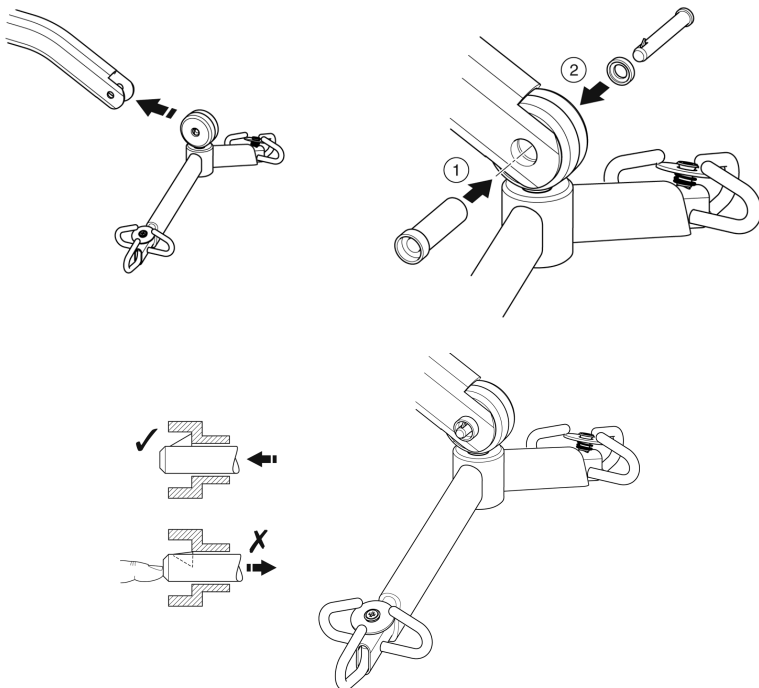
CONNECTION

To connect, raise the spreader bar/cradle up toward the boom slot.

Insert the pin sleeve through the plastic end cap and to support the spreader bar/cradle.

Once aligned in the boom slot reinsert the quick release pin fully into the sleeve until it locks into position. **YOU MUST CHECK THAT THE PIN IS SECURELY FITTED.**

To do this, press your finger into the barbed end. If the pin remains stationary the lift is safe to use.

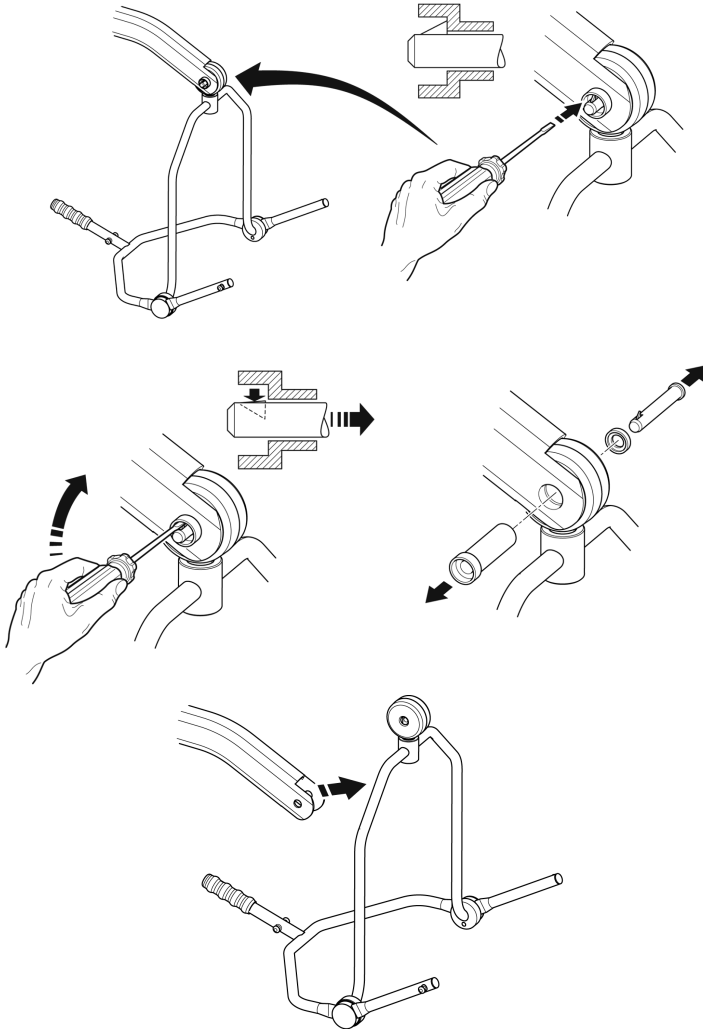


REMOVAL

CAUTION: Be sure to support the weight of the spreader bar/cradle before removing pin.

To detach pin, depress the spring barb (using a flat blade electrical screw driver or similar) and pull the pin out.

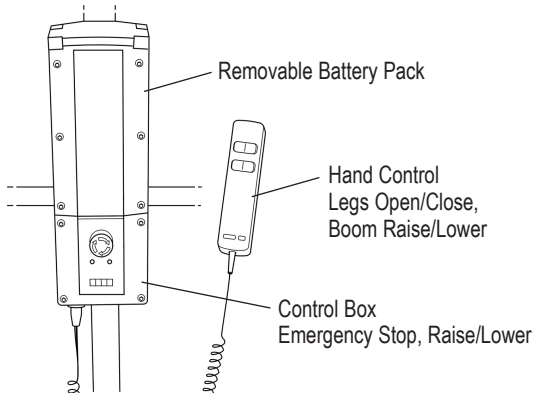
Support the spreader bar/cradle, and then pull the pin sleeve in the opposite direction, removing it completely from the boom. This will release the spreader bar completely.





7. Charging Instructions

The batteries are located in the power pack and are charged via an off board desktop charger unit.



CHARGING INSTRUCTIONS FOR THE OXFORD STATURE

When the power pack needs charging it is removed from the lift and fitted to an off board charging unit.

Joerns Healthcare Ltd recommend an additional battery pack is used, so that one pack can be on charge at all times.

1. Remove the power pack from the lift. The pack is retained by a simple latch at the top of the power pack. Lift the latch and the power pack will be released.
2. Fit the power pack to the charging unit. The location and latching of the power pack to the charger is the same system as used on the lift.
3. Plug the charger mains plug into a suitable mains outlet and switch the mains supply ON.
4. Charging is automatic and will fully charge the batteries over a period of eight to twelve hours.

Note: Even if the charger is left plugged in for extended periods it will not allow the batteries to overcharge.

 - a) Green Light - Indicates main power is on.
 - b) Yellow Light - Indicates battery is charging.
 - c) Battery will be fully charged when yellow light goes off.

Note: Charging will take up to four (4) hours.
It is recommended that the battery be charged immediately upon receipt.
5. To return the lift to service, switch OFF the mains supply and remove the power pack from the charger. Fit the power pack to the lift and make sure the latch holding the pack in place is fully engaged. "Click" in place. The charging of Oxford electric lifts is simple and straightforward, but it is important to follow the charging instructions closely. Please pay particular attention to the following points, they will help you avoid problems with discharged batteries.

⚠ WARNING

KEEP the batteries fully charged. Place the battery on charge whenever it is not in use. If it is more convenient to do so, place on charge every night.
The charger will not allow the batteries to overcharge.

⚠ WARNING

NEVER run the batteries completely flat. As soon as the audible warning sounds, complete the lifting operation in hand and place on charge.

⚠ WARNING

NEVER store the power pack for long periods without regular charging throughout the storage period.

⚠ WARNING

ALWAYS make sure the mains power to the charger is switched off before connecting or disconnecting the power pack.

⚠ WARNING

NEVER leave the power pack plugged in to the charger with the mains power off.

⚠ WARNING

Do not charge an electric lift in a bathroom or shower room.



8. Maintenance Schedule & Daily Check List

All Oxford products are designed for minimum maintenance, however some safety checks and procedures are required. A schedule of DAILY tasks is detailed below. Daily checks and a six monthly service, inspection and test will ensure a lift is kept in optimum safe working condition. A list of spare parts is available upon request.

The **LOAD TEST** and certification should only be carried out by qualified personnel or an authorised service agent / dealer.

DAILY CHECK LIST: Joerns Healthcare strongly recommends the following checks be carried out on a daily basis and before using lift.

- MAKE sure the lift moves freely on its castors.
- MAKE sure the spreader bar is free to rotate and swing
- EXAMINE the spreader bar/cradle is firmly attached to the boom.
- EXAMINE the sling hooks/clips on the spreader bar/cradle and side suspenders for excessive wear.
- MAKE sure the legs open and close correctly.
- OPERATE the hand control to confirm the boom raises and lowers satisfactorily.
- ON electric powered lifts check the operation of the emergency stop button.
- EXAMINE slings for fraying or other damage. DO NOT use any sling if damaged or if the sling shows signs of wear.
- CONFIRM the lift is not giving a low battery alarm when the hand control is operated. If the alarm sounds, DO NOT use, and place on charge immediately.
- CHECK fasteners for tightness and wear.

MAINTENANCE, INSPECTION AND TEST

Joerns Healthcare recommend a thorough inspection and test of the Oxford Stature lift and lifting accessories, slings, scales etc is carried out on a regular basis. Inspection frequency varies depending on locality, so you must check with your dealer or local government agency as appropriate regarding how often an inspection is required. The examination and test should be conducted according to the recommendations and procedures provided in this manual. Joerns Healthcare recommends maintenance, inspection and certified testing is carried out by authorised service agent / dealers only.

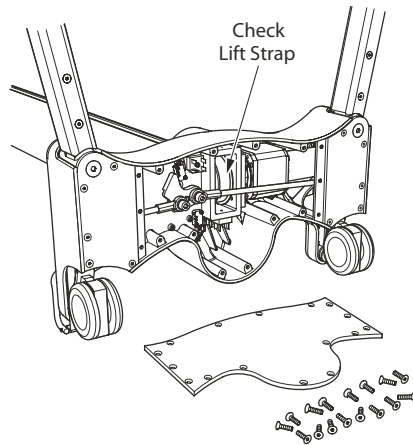
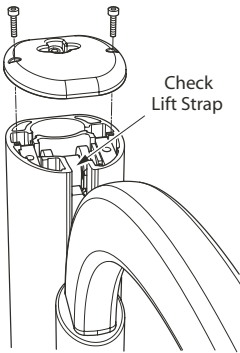
NOTE: These recommendations are in compliance with the requirements of 1998 No2307 Health and Safety: The Lifting Operations and Lifting Equipment Regulations 1998. This is a UK regulation. Outside the UK please check your local country requirement.

***THESE CHECKS SHOULD INCLUDE:**

	Initially	Before Use	Service Intervals
1. SPREADER BAR: Check the spreader bar for freedom of rotation and swing. Check for wear on the central pivot. Check for firm attachment to the boom.	✓	✓	
2. BOOM: Check the attachment of the boom to the mast carriage. Make sure there is only minimal movement.	✓	✓	
3. MAST: Check it is firmly connected to the chassis.	✓	✓	
4. MOTOR GEARBOX: This should require no maintenance other than checking for correct operation and listening for unusual noise.			✓
5. POWER PACK: Check the function of the emergency stop button and emergency down/up.	✓	✓	
6. BATTERIES: The batteries are housed in the power pack and should not require maintenance other than the regular charging as detailed in the charging instructions. Check that the connections remain clean. Confirm the battery bracket is secure and undamaged.			✓
7. LEG ADJUSTMENT: Check that the legs operate in both full extensions (inward/outward).	✓	✓	
8. CASTORS: Check all castors for firm attachment to the legs. Check for free rotation of the castor and the wheels.	✓	✓	
9. CLEANING: Wipe down with a clean cloth, using soap and water and/or any hard surface disinfectant. Harsh chemical cleaners or abrasives should be avoided as these may damage the surface finish of the lift. Avoid excessive wetting, especially electrical areas and the opening to the base of the hoist. We recommend that the cloth is soaked in the solution, squeeze out excess fluid and wipe hoist surface.			✓
10. LOAD TEST: The load test should be carried out in accordance with the manufacturer's test procedures (see Service Manual). It is strongly recommended the testing is carried out by an authorised service dealer.			✓
11. BASE AND WHEELS: Ensure base is even and level (all four wheels are on the floor).	✓	✓	
12. SLINGS: Check for wear and fraying.	✓	✓	✓
13. LUBRICATION: Oil pivot joints, including mast and boom connections, pedal assembly, spreader bar joint (only if required).			✓
14. HAND SET: Ensure plugged fully into controller.	✓	✓	
15. FIXINGS: Check all nuts, bolts, screws and fasteners for excessive wear and for tightness. Replace as required.			✓

***THESE CHECKS SHOULD INCLUDE:**

	Initially	Before Use	Service Intervals
16. QUICK RELEASE PIN: Ensure the pin is securely fitted before lifting, by pressing the barbed end.	✓	✓	
17. LIFTING STRAP: Your lift strap should be checked at service intervals for any sign of wear (ideally every six months). In order to view the strap it is recommended to remove the cap at the top of the mast, cycle the lift in both directions whilst observing the condition of the strap. If you see any wear (fraying, creasing or similar) it is recommended an authorised, Joerns Healthcare Dealer or qualified, competent service engineer replaces the strap IMMEDIATELY. For details regarding strap maintenance and replacement please request our detailed service guide. (See below for details)		✓	✓



9. Technical Specifications

Safe Working Load	500 lbs	227 kgs
Maximum Overall Length	54.7 inches	1390 mm
Minimum Overall Length	50.8 inches	1290 mm
Maximum Overall Height	83.8 inches	2130 mm
Minimum Overall Height	76.6 inches	1945 mm
Height at Maximum Reach	77.8 inches	1975 mm
Reach at Maximum Height	24.6 inches	625 mm
Reach at Minimum Height	24.6 inches	625 mm
Maximum Reach*	24.6 inches	625 mm
Turning Radius	61.0 inches	1550 mm
Legs Open - External Width	53.5 inches	1360 mm
Legs Open - Internal Width	48.4 inches	1230 mm
Legs Closed - External Width	29.9 inches	760 mm
Legs Closed - Internal Width	25.1 inches	640 mm
Overall Height of Legs	4.3 inches	110 mm
Ground Clearance	1.2 inches	30 mm
Front Twin Castors	4 inches	100 mm
Rear Braked Castors	4 inches	100 mm

* Reach = centre of spreader bar to the front of the mast

4 Point Position Cradle (measurement to top of location pins)

NOTE: 4 point positioning cradle is standard fitment with the Stature lift.

Cradle Max. Height	61 inches	1550 mm
Cradle Min. Height (usable)	15.4 inches	390 mm

6 Point Spreader Bar (measurement to top of location pins)

NOTE: 6 point positioning cradle is optional for the Stature lift.

Spreader Bar Max. Height	77.7 inches	1975 mm
Spreader Bar Min. Height (usable)	26.6 inches	675 mm

Weights

Mast, Base & Boom Assembly	142lbs	64.5kgs
4 point positioning cradle	13.2lbs	6kgs
Power Pack	6.6 lbs	3 kgs
Total	162lbs	73.5kgs

All measurements are within a +5/-5 degree of tolerance.

**ELECTRICAL SPECIFICATIONS**

BATTERIES.....	12 volt Rechargeable sealed lead acid type
BATTERY CAPACITY.....	3.2 Ampere hours
CHARGER RATED INPUT.....	230Vac 50/60Hz
CHARGER RATED OUTPUT.....	27.4/29.0 VDC@0.8A

Electric Shock Protection

CHARGER.....	CLASS II
LIFT.....	INTERNAL POWER SOURCE

Degree of Shock Protection

CHARGER.....	TYPE B
LIFT.....	TYPE B
INTENDED OPERATING ENVIRONMENT:	>+5° <+40°
Outside this environment functionality and safety may be compromised.	

MOTOR GEAR BOX.....	Planetary Type
STRAP.....	Nylon woven

10. Warranty

Joerns Healthcare has an established network of reputable distributors and dealers who will be pleased to handle all your purchasing, warranty, repair and maintenance enquiry.

Our products are guaranteed for a period of 24 months from the date of manufacture or 24 months from the date of purchase if commissioned by an authorised dealer. This guarantee covers the lift's major structure, motor and control box, handset, and battery for manufacturing defects/failures.

We recommend that all of our products are commissioned by your dealer and are supported by them for future servicing. The dealer or distributor operates the warranty Programme; so it is important to keep a record of their name, address and telephone number so they can be contacted should any problems arise.

Failure to comply to the lift's servicing schedule may result in your warranty being invalid.

If you are in doubt where your lift was purchased, Joerns Healthcare can trace the supplier if you quote the serial number of the lift.

REMEMBER! Contact your distributor for purchases, warranty, repairs, servicing and certified maintenance.

Your distributor:



Coordonnées du fabricant

Oxford®

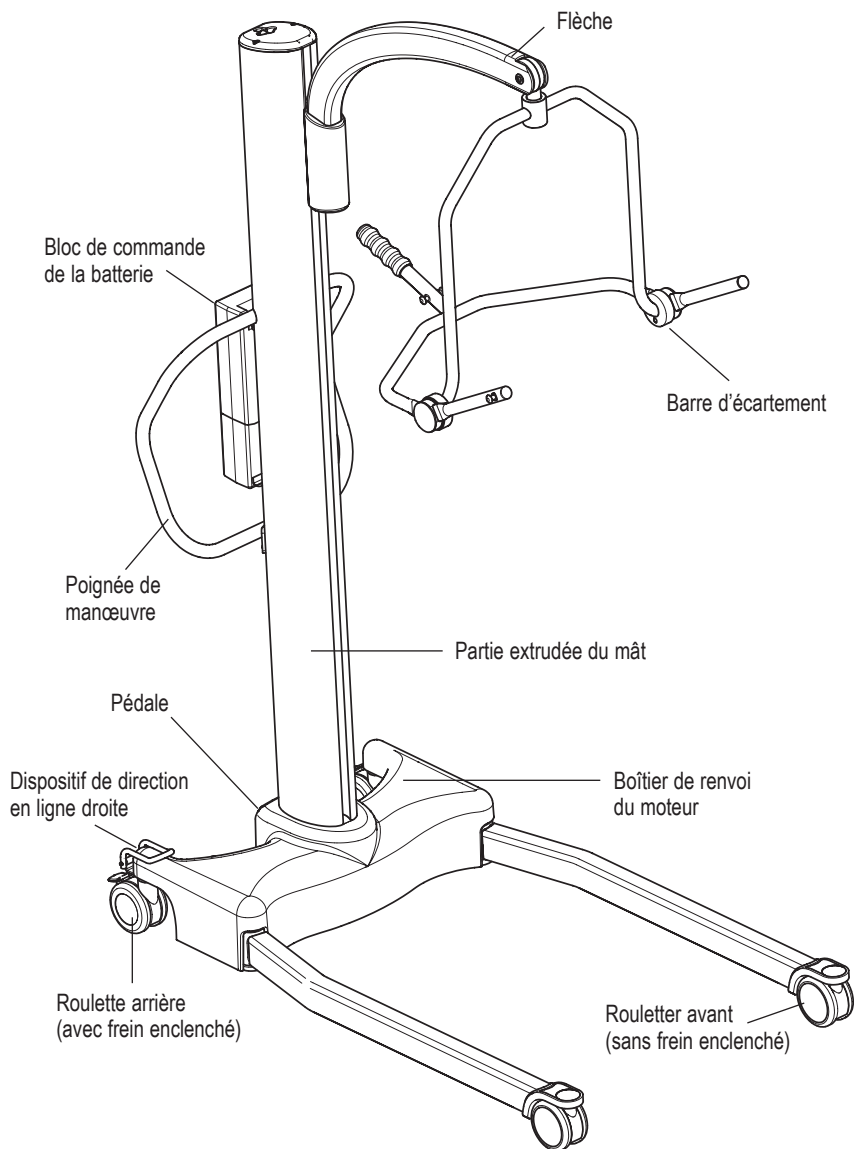
EUROPE

Joerns Healthcare Limited
Drakes Broughton Business Park, Worcester Road
Drakes Broughton, Pershore, Worcestershire
WR10 2AG United Kingdom
Tel: 0844 811 1156 • Fax: 0844 811 1157
info@joerns.co.uk • www.joerns.co.uk

Table des matières

1. Lève-personne Oxford Stature	27
2. Introduction: À propos de votre lève-personne	28
3. Instructions de montage et de mise en service	29
4. Consignes de sécurité	33
5. Instructions de fonctionnement.....	35
6. Dépose des systèmes de barres d'écartement à 6 points et de berceaux à 4 points	39
7. Instructions de charge	41
8. Périodicité d'entretien et liste des vérifications quotidiennes	43
9. Spécifications techniques	46
10. Garantie	48

1. Lève-Personne Oxford Stature



**LISEZ ET COMPRENEZ LES INSTRUCTIONS FIGURANT DANS CE MANUEL
AVANT D'UTILISER LE « STATURE »**

2. Introduction: À propos de votre lève-personne

Le lève-personne Oxford Stature est électrique. Chaque lève-personne Stature est entièrement monté, soumis à un essai de charge et certifié avant d'être emballé / expédié.

L'emballage se compose d'une boîte en carton robuste construite spécialement pour les expéditions domestiques et les exportations et garantissant l'arrivée de l'appareil intact à destination.

L'emballage de chaque lève-personne comprend une pochette contenant un certain nombre de documents qui doivent être conservés en lieu sûr au cas où ils devraient être consultés ultérieurement.

- MANUEL D'UTILISATION
- CARTE DE GARANTIE DU REVENDEUR (Europe uniquement)
- CERTIFICAT D'ESSAI
- CARTE DE SATISFACTION (Europe uniquement)
- LISTE DE VÉRIFICATIONS D'EMBALLAGE

Le CERTIFICAT D'ESSAI est un document important qui doit être conservé dans votre dossier assurance. Il est valide pendant six mois et, après son expiration, le lève-personne doit être inspecté et entretenu par un ingénieur autorisé compétent selon le calendrier d'entretien

L'entretien et les essais périodiques peuvent être effectués pour votre revendeur agréé. Assurez-vous que votre lève-personne est inscrit dans le calendrier d'entretien de votre revendeur. En cas d'incertitude concernant les normes d'entretien locales, veuillez vous renseigner auprès de votre revendeur et / ou d'un organisme gouvernemental local.

Le lève-personne Oxford Stature convient pour les CATÉGORIES de levage suivantes, dans les limites des paramètres de fonctionnement des appareils figurant dans les SPÉCIFICATIONS TECHNIQUES (voir la table des matières).

- Catégorie A - Fauteuil roulant
- Catégorie B - Lit
- Catégorie C - Bain (dépend du réglage)
- Catégorie D - Toilette / chaise de douche
- Catégorie E - Plancher
- Catégorie F - Rotation à 90 degrés

L'appareil Oxford Stature convient aux patients ASSIS, ASSIS / ALLONGÉS ET ALLONGÉS. Les sangles convenant pour l'utilisation de ce dispositif sont énumérés ci-dessous :

- Oxford Quickfit
- Oxford Access
- Oxford Full Back
- Oxford Comfort
- Oxford Quickfit Deluxe
- Oxford Silkfit
- Oxford Long Seat

Marque CE :



L'appareil Oxford Stature porte la marque CE et il est conforme aux directives CE suivantes:

- Medical Device Directive (appareils médicaux) (93/42/EEC)
- Directive EMC (89/336/EEC)
- Directive relative aux basses tensions (73/23/EEC)

3. Instructions de montage et de mise en service

Placez la boîte sur une surface bien dégagée et ouvrez-la avec précaution. Elle contient:

- LÈVE-PERSONNE Oxford STATURE
- UNE POCHETTE CONTENANT DES DOCUMENTS
- UNE COMMANDE MANUELLE
- BLOC BATTERIE
- CHARGEUR / SUPPORT / FIL POUR BUREAU
- KIT DE FIXATION (COMPREND LES VIS, UNE CLÉ HEXAGONALE, UNE DOUILLE HEXAGONALE, UNE PLAQUE DE COUVERTURE)

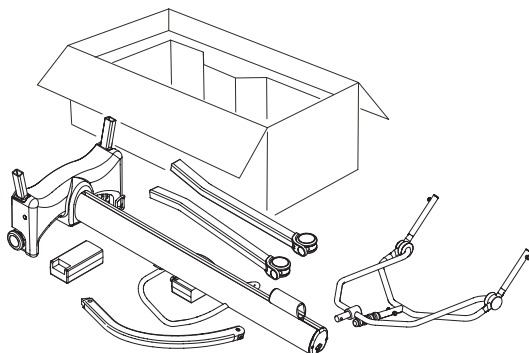
⚠ AVERTISSEMENT

L'appareil Oxford Stature est lourd et doit être soulevé avec précaution. Vous aurez éventuellement besoin d'aide pour soulever l'appareil Oxford Stature et le sortir de sa boîte.

MONTAGE

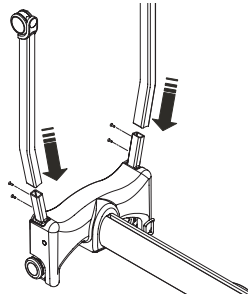
Retirez toutes les pièces de la boîte et placez-les par terre, en prenant soin de protéger le fini.

1. Placez le châssis et le mât (qui sont connectés) dans un espace dégagé. Le mât et le châssis doivent reposer sur la poignée de manœuvre, ce qui garantit que l'appareil restera stable pendant le raccordement des pieds et de la flèche à l'appareil.



- Adaptez les pieds au châssis à l'aide de deux vis à têtes fraisées plates de 6 mm par pied, comme fourni.

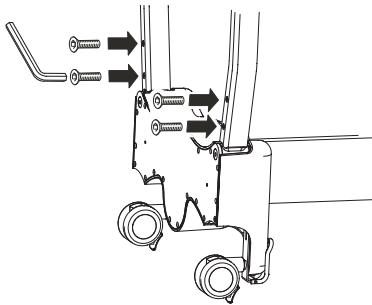
REMARQUE: les pieds gauche et droit sont différents et sont configurés comme indiqué ci-dessous.



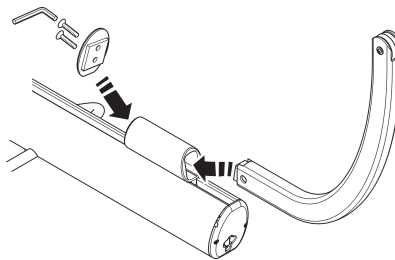
- Serrez les vis de 6 mm se trouvant de chaque côté du châssis à l'aide de la clé hexagonale fournie.

⚠ AVERTISSEMENT

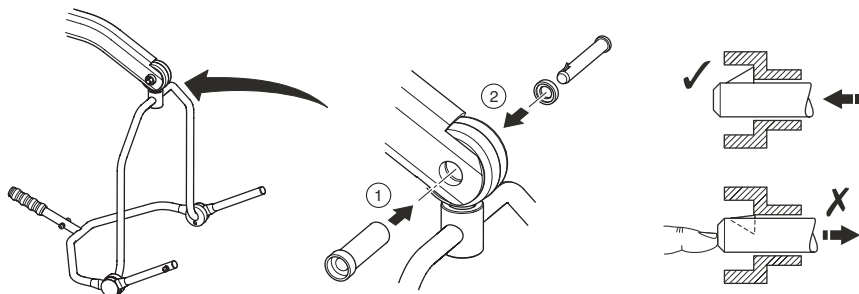
Les vis doivent être fermement serrées.



- Introduisez la partie courbée de la flèche dans le support de celle-ci. Fixez l'ensemble en insérant les deux vis à têtes fraisées plates de 6 mm dans la plaque de couverture bleue fournie avec le kit de fixation, comme indiqué ci-dessous, et serrez fermement.



5. Fixez le berceau de positionnement à quatre points sur la flèche de relevage en insérant la goupille fendue. Assurez-vous que la goupille est bien en place.

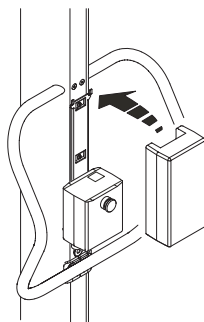
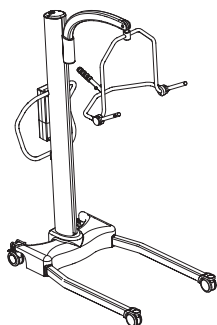


6. Relevez le Stature en position verticale et serrez les freins.

⚠ AVERTISSEMENT

Faites attention lors du relevage du Stature en position verticale, car il est lourd.

Adaptez la prise de la poignée de commande dans la partie inférieure du boîtier de commande qui se trouve sur le mât, assurez-vous de l'alignement correct avec la douille de la prise. Adaptez le bloc d'alimentation sur le lève-personne ; assurez-vous que le verrou maintenant le bloc en place est complètement enclenché, et qu'il a émis un « Clic ».

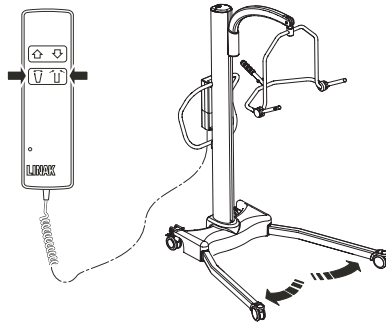


DÉMONTAGE

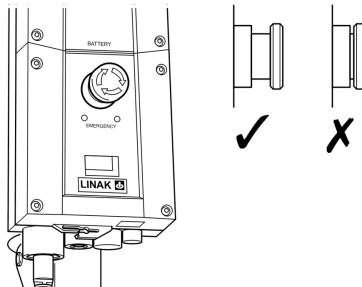
Le lève-personne ne doit pas être démonté sauf pour entretien, réparation ou transport si nécessaire. Si un démontage s'impose, suivez les instructions de montage dans l'ordre inverse.

EFFECTUEZ TOUJOURS LES VÉRIFICATIONS SUIVANTES AVANT D'UTILISER L'APPAREIL:

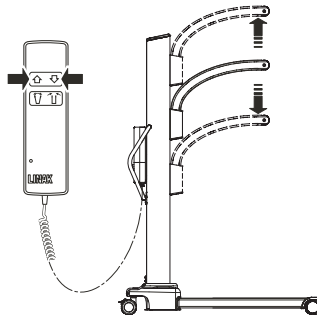
- Appuyez sur les boutons d'ouverture et de fermeture sur la commande manuelle afin de confirmer l'ouverture et la fermeture satisfaisantes des pieds du lève-personne.



- Le bouton rouge d'arrêt d'urgence situé à l'arrière du boîtier de commande, est en position OFF (arrêt).



- Appuyez sur les boutons « up » (vers le haut) et « down » (vers le bas) de la commande manuelle pour confirmer que la flèche se lève et s'abaisse correctement.



4. Consignes de sécurité

Veuillez lire et suivre les consignes de sécurité ci-dessous. Si vous suivez ces quelques consignes de sécurité fondamentales, vous serez en mesure d'utiliser ce lève-personne facilement et sans problème.

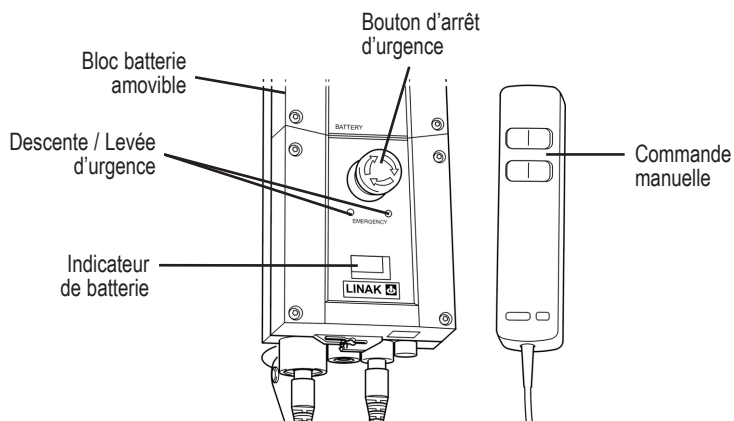
AVERTISSEMENT

- Vérifiez **TOUJOURS** que la charge maximale d'utilisation du lève-personne est compatible avec le poids du patient.
- **NE DÉPASSEZ PAS** la charge maximale du lève-personne, car un dispositif de limitation de courant électrique s'activerait et empêcherait l'utilisation du lève-personne.
- Planifiez **TOUJOURS** vos opérations de levage avant de commencer.
- Effectuez **TOUJOURS** les étapes de la LISTE DES VÉRIFICATIONS QUOTIDIENNES avant d'utiliser le lève-personne.
- Familiarisez-vous **TOUJOURS** avec les commandes de fonctionnement et les dispositifs de sécurité d'un lève-personne avant de soulever un patient.
- **N'UTILISEZ PAS** de courroie, à moins que cela ne soit recommandé.
- Vérifiez **TOUJOURS** que la courroie convient au patient et qu'elle est de taille et de capacité appropriées.
- N'utilisez **JAMAIS** une courroie effilochée ou montrant des signes de détérioration.
- Ajustez **TOUJOURS** la courroie suivant les instructions fournies (consignes d'utilisation).
- Assurez-vous **TOUJOURS** que les sangles **NE** s'enroulent **PAS** autour des pieds du lève-personne.
- Effectuez **TOUJOURS** le levage en fonction des instructions du manuel d'utilisation.
- Ne débranchez ni n'ignorez **JAMAIS** une commande ou un dispositif de sécurité sous prétexte que cela facilite l'utilisation du lève-personne.
- **NE** soulevez **PAS** un patient si les freins des roulettes sont enclenchés. Laissez toujours le lève-personne trouver le centre de gravité correct.
- N'essayez **PAS** de manœuvrer le lève-personne en poussant le mât, la flèche ou le patient.
- Manœuvrez **TOUJOURS** le lève-personne avec la poignée qui se trouve sur le mât. Une pédale est également prévue sur la base du lève-personne.

- Amenez **TOUJOURS** le patient à la position la plus basse et la plus confortable avant un transfert.
- **NE** poussez **PAS** un lève-personne chargé à des vitesses dépassant une allure de marche lente (3 kilomètres / heure, soit 0.8 mètres / seconde).
- **NE** poussez **PAS** le lève-personne sur un terrain accidenté particulièrement s'il est chargé.
- N'essayez **PAS** de pousser / tirer un lève-personne chargé pour surmonter un obstacle au sol.
- **NE** forcez **JAMAIS** une commande de fonctionnement / de sécurité. Toutes les commandes sont faciles à utiliser et ne nécessitent pas une force excessive.
- **NE** rangez **JAMAIS** un lève-personne chargé sur **UNE** surface inclinée.
- N'utilisez **PAS** les lève-personnes électriques dans la douche.
- **NE** chargez **PAS** un lève-personne électrique dans une salle de bains ou une salle de douche.
- **NE** soulevez **PAS** un patient si vous n'en avez ni l'expérience ni la compétence.
- **VOTRE** lève-personne est prévu pour soulever des patients. **NE** l'utilisez **PAS**, et n'autorisez personne à s'en servir à d'autres fins.
- **NE** forcez **PAS** le lève-personne à descendre des marches, qu'il soit chargé ou non.
- N'essayez **PAS** de déplacer un lève-personne chargé sur une pente de plus de 1:12 (environ 5 degrés).
- N'essayez **PAS** de monter ou de descendre une côte sans une autre personne à vos côtés.
- N'utilisez **PAS** le lève-personne dans un endroit mouillé ou corrosif, tel que les abords d'une piscine.
- **N'UTILISEZ PAS** l'appareil sur une moquette épaisse lorsque le lève-personne est complètement chargé.
- **N'UTILISEZ JAMAIS** le lève-personne si des pièces/fixations sont desserrées ou manquantes.

5. Instructions de fonctionnement

COMMANDES DE FONCTIONNEMENT



1. Réglage des pieds

La largeur des pieds de l'appareil Oxford Stature est réglable. Les pieds peuvent être ouverts pour faciliter l'accès autour des fauteuils ou des chaises roulantes. Pour permettre les transferts et le passage par des portes et des endroits exigus, les pieds du lève-personne doivent être en position fermée.

Le réglage des pieds électriques - est accompli en appuyant sur certains boutons de la commande manuelle. Les pieds se bloquent lorsque l'interrupteur de la commande manuelle est relâché.

2. Roulettes et freinage

Le lève-personne comporte deux roulettes à frein, qui permettent d'immobiliser l'appareil. Durant le levage, les roulettes doivent rester libres et ne pas être bloquées. Le lève-personne peut ainsi se diriger vers son centre de gravité. Si les freins sont enclenchés, le patient peut basculer vers le centre de gravité, ce qui peut s'avérer déconcertant et inconfortable. Fixé sur la roulette arrière se trouve un dispositif de direction, qui facilite le déplacement en ligne droite quand il est appliqué sur la roulette.

3. Levage et abaissement de la flèche

Le mouvement du support de la flèche est transmis par un puissant boîtier de renvoi du moteur, qui est lui-même contrôlé par une simple unité de commande manuelle. La commande manuelle est munie de deux boutons sur lesquels se trouvent les flèches UP (vers le haut) et DOWN (vers le bas). Le boîtier de renvoi s'arrête automatiquement en fin de course dans les deux sens.

La commande manuelle se branche sur une prise située à la base du boîtier de commande.

Consigne de sécurité - Le mouvement vers le bas de la flèche s'arrête si le lève-personne détecte que le patient a rencontré un obstacle.

4. Arrêt d'urgence

Le bouton rouge d'arrêt d'urgence, situé à l'arrière du boîtier de commande, est activé lorsqu'on appuie dessus. Cela coupe l'alimentation du lève-personne, laquelle n'est rétablie que lorsque le bouton est tourné dans le sens antihoraire, puis relâché.

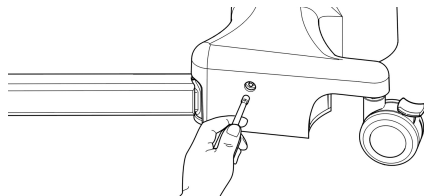
5. Descente / Levée électrique d'urgence

Les boutons de descente et de levée d'urgence se trouvent à l'avant du boîtier de commande. Pour les activer, insérez la pointe d'un stylo à bille dans le bouton portant l'inscription ↑↓. Cela permet de faire descendre la flèche en cas de défaillance de la commande manuelle.

6. Descente mécanique d'urgence

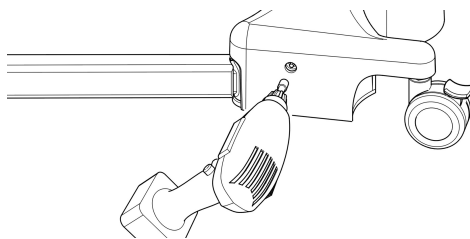
En cas de panne électrique totale, le lève-personne Stature est doté d'un dispositif de descente mécanique. Ce dispositif se trouve sur le côté gauche du châssis du lève-personne.

Le mécanisme de descente s'actionne en introduisant une douille hexagonale de 6 mm dans l'ouverture et sur le mécanisme en la tournant dans le sens des aiguilles d'une montre pour relever le lève-personne et dans le sens inverse pour l'abaisser. Ceci peut être effectué manuellement avec une clé à douille.



Recommandation

Afin de relever ou d'abaisser la flèche plus rapidement, il est conseillé d'utiliser une douille hexagonale de 6 mm en conjonction avec un adaptateur de 1/4 pouce et une visseuse électrique réversible. (Remarque - n'utilisez pas le réglage marteau.) Ceci accélérera la montée et la descente en sécurité du patient. Une douille hexagonale de 6 mm se trouve dans le capuchon supérieur situé en haut du mât.



REMARQUE: avant de lever ou d'abaisser le patient, veillez à prévoir votre destination avec prudence. Par exemple, recul sur une chaise ou un lit.

7. Batteries

Les batteries sont protégées contre les décharges poussées par une ALARME DE BASSE TENSION. Celle-ci retentit lorsque les batteries doivent être rechargées et que la commande manuelle est en usage. Elle ne retentit pas si la commande manuelle n'est pas en usage. NE NÉGLIGEZ PAS CETTE ALARME. Achevez le levage et mettez l'appareil sous charge (voir instructions de charge).

8. Courroies

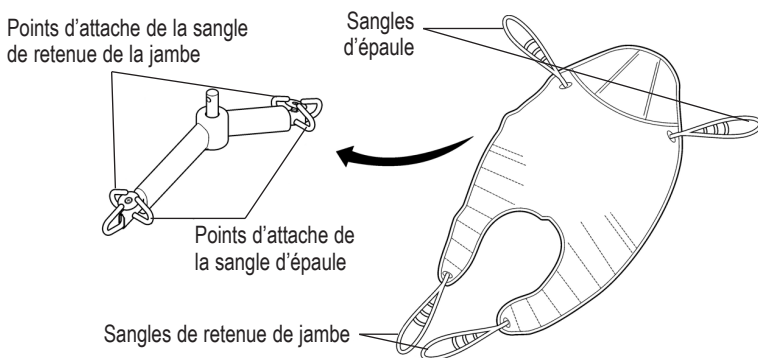
L'appareil Oxford Stature peut être équipé d'une barre d'écartement à six points ou d'une chassiss à quatre points de fixation. Les deux systèmes utilisent des méthodes de fixation et des courroies différentes.

Le système à six points utilise des courroies dotées de boucles sanglées de couleurs différentes, permettant de régler le positionnement. Le système à quatre points utilise le système d'attaches sécuritaires Secri3 et se règle en faisant pivoter la chassiss à quatre points montes ou descendre.

Courroies à sangles à boucles: Oxford Quickfit, Full Back, Quickfit Deluxe, Long Seat, Access et Silkfit

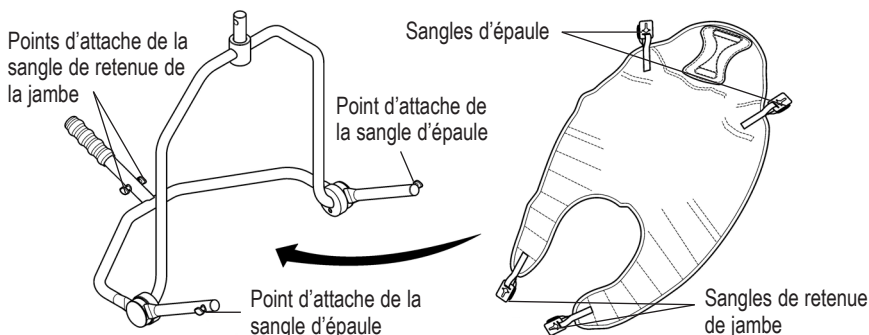
Courroies dotées d'attaches sécuritaires: Oxford Comfort

Le système à deux points s'attache aux crochets de la barre d'écartement à l'aide de sangles à boucles (illustrées ci-dessous). Chaque courroie est fournie avec des instructions. Veuillez lire le guide d'instructions avant toute utilisation.

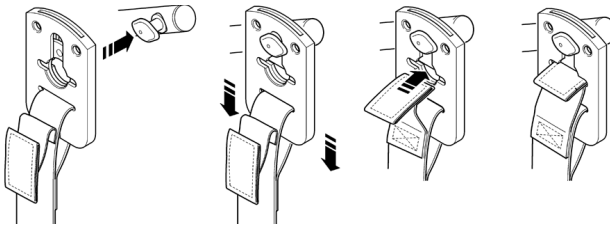


Barre d'écartement à 6 points. Exemple d'une courroie pour barre d'écartement à six points munie d'attaches en boucle.

La courroie pour le système à quatre points s'attache aux crochets de la chassiss à l'aide de sangles à boucles (illustrées ci-dessous). Chaque courroie est fournie avec des instructions. Veuillez lire le guide d'instructions avant toute utilisation.



Chassiss à 4 points de fixation. Exemple d'une courroie pour chassiss à 4 points dotée d'attaches sécuritaires.



Système de fixation à sangle Securi3. Exemple d'installation.

REMARQUE : Pour toute instruction détaillée sur la mise en place, reportez-vous au guide d'utilisation fourni avec chaque courroie.

⚠ AVERTISSEMENT

Joerns Healthcare vous conseille de vérifier, régulièrement et avant toute utilisation, que vos courroies ne sont ni effilochées, ni endommagées. N'utilisez JAMAIS une courroie usagée ou endommagée.

⚠ AVERTISSEMENT

OXFORD RECOMMANDE L'UTILISATION DE PIÈCES OXFORD AUTHENTIQUES. Les produits de sangle et de levage Oxford sont conçus pour être compatibles ensemble. Pour les directives spécifiques à votre pays au sujet de l'utilisation d'élingues et de leur compatibilité, veuillez lire l'étiquette de l'élingue ou contacter votre revendeur local ou Joerns Healthcare.

⚠ AVERTISSEMENT

Respectez la charge maximale du lève-personne. La charge de la courroie est limitée par la charge maximale du lève-personne.

6. Dépose des systèmes de barres d'écartement/chassis

SUIVEZ CES INSTRUCTIONS À LA LETTRE

Votre lève-personne Stature a l'option d'un système d'écartement à 6 points ou chassis à 4 points. Le retrait d'une de ces systèmes s'effectue facilement à l'aide d'une broche à déblocage rapide. Cette opération est rapide et facile, mais il est nécessaire de lire les consignes de sécurité suivantes afin de vous assurer que la barre d'écartement/chassis est verrouillée en place et en sécurité avant utilisation.

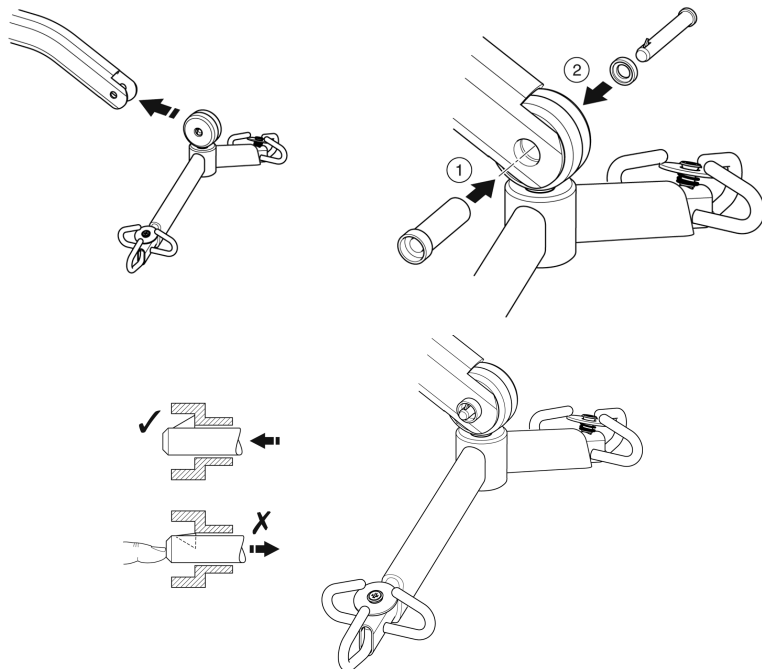
CONNEXION

Pour effectuer la connexion, relevez la barre d'écartement/chassis vers l'encoche de la flèche.

Introduisez le manchon de la broche dans le capuchon en plastique pour soutenir la barre d'écartement/chassis.

Une fois l'alignement sur l'encoche de la flèche obtenu, réintroduisez la broche à déblocage rapide dans le manchon jusqu'à ce qu'elle se verrouille en place. **VÉRIFIEZ QUE LA BROCHE EST CORRECTEMENT ENCLENCHÉE**

Pour cela, appuyez sur l'extrémité cannelée avec le doigt. Si la broche reste immobile, le lève personne peut être utilisé en sécurité.

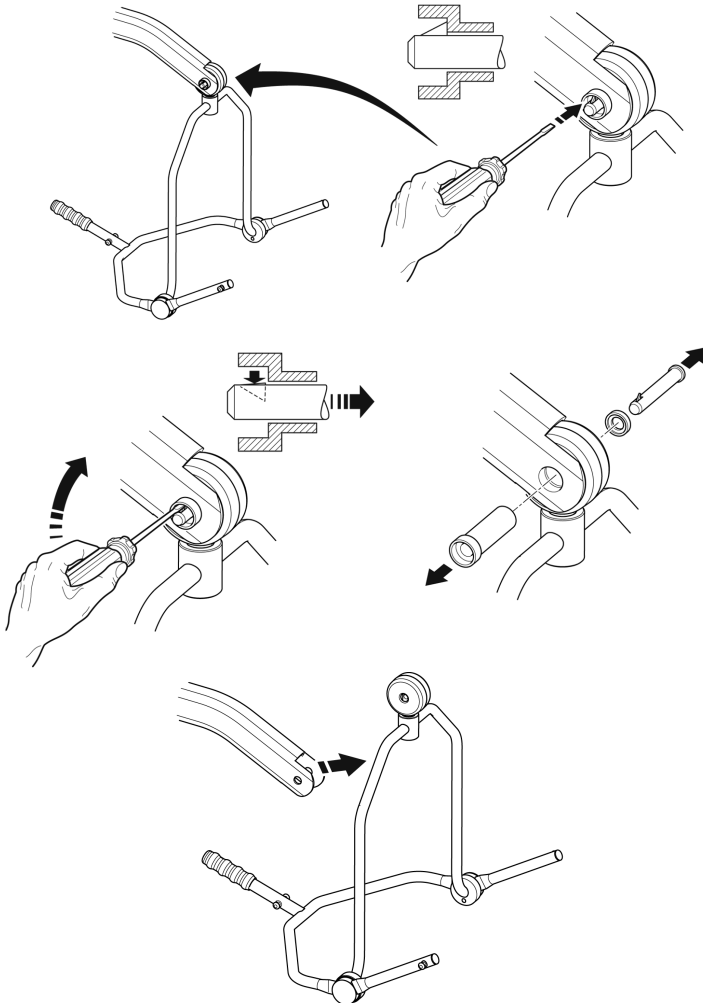


DÉPOSE

ATTENTION: Vérifiez que le poids de la barre est correctement/chassis supporté avant de retirer la goupille.

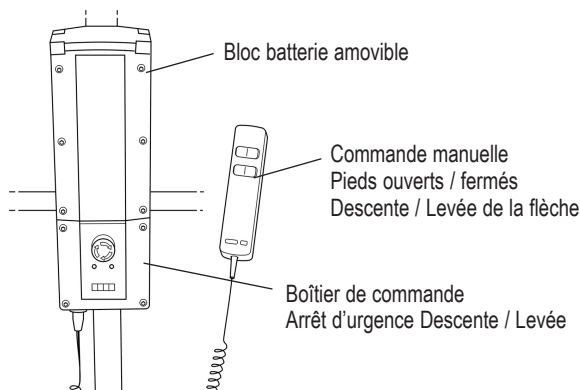
Pour détacher la broche, appuyez sur la languette de ressort (à l'aide d'un tournevis plat ou un outil similaire) et extrayez la broche.

Soutenez la barre d'écartement/chassis et tirez le manchon de la broche dans le sens opposé, en le retirant complètement de la flèche. Ceci libère complètement la barre d'écartement/chassis.



7. Instructions de charge

Les batteries sont situées dans le bloc d'alimentation et elles sont rechargées au moyen d'un chargeur autonome.



Lorsque le bloc d'alimentation doit être rechargé, retirez-le du lève-personne et branchez-le sur le chargeur autonome.

Joerns Healthcare Ltd recommande l'utilisation d'un bloc batterie supplémentaire, afin qu'un bloc soit toujours chargé.

1. Retirez le bloc d'alimentation du lève-personne. Il est retenu par une simple bride située sur le dessus. Soulevez la bride et le bloc est délogé.
2. Placez le bloc d'alimentation dans le chargeur. L'emplacement et la fixation du bloc d'alimentation sur le chargeur sont assurés par le même système que celui utilisé sur le lève-personne.
3. Branchez le fil / le cordon du chargeur sur une prise de courant appropriée et ACTIVEZ l'alimentation principale.
4. Les batteries se chargent complètement et automatiquement sur une période de huit à douze heures.

REMARQUE: Même si le chargeur reste branché pendant très longtemps, cela n'entraînera pas la « surcharge » des batteries.

- a) Voyant vert - Indique que l'appareil est sous tension.
- b) Voyant jaune - Indique que la batterie est en cours de recharge.
- c) La batterie est complètement rechargée une fois que le voyant jaune s'est éteint.

Remarque : La charge de la batterie prend 4 heures.

Il est conseillé de charger la batterie dès réception.

5. Pour remettre le lève-personne en service, COUPEZ l'alimentation principale et retirez le bloc d'alimentation du chargeur. Remplacez le bloc d'alimentation sur le lève-personne et vérifiez que la bride le maintenant est totalement enclenchée. Enclenchez le bloc. Le chargement des lève-personnes électriques Oxford est simple et clair, mais vous devez absolument suivre les instructions à la lettre. Prêtez une attention toute particulière aux points suivants, vous éviterez ainsi de vous retrouver avec des batteries déchargées.

⚠ AVERTISSEMENT

GARDEZ les batteries complètement chargées. Mettez le lève-personne sous charge lorsqu'il n'est pas en usage. Si cela est plus pratique, chargez-le chaque nuit. Le chargeur ne « surchargera » pas les batteries.

⚠ AVERTISSEMENT

NE laissez **JAMAIS** les batteries se décharger complètement. Si l'avertisseur audible retentit, terminez le levage en cours et mettez le lève-personne sous charge.

⚠ AVERTISSEMENT

NE rangez **JAMAIS** le lève-personne pendant des périodes prolongées sans le recharger à intervalles réguliers durant ces périodes.

⚠ AVERTISSEMENT

Coupez TOUJOURS l'alimentation principale du chargeur avant de le brancher ou de le débrancher de l'appareil.

⚠ AVERTISSEMENT

Ne laissez **JAMAIS** le chargeur branché sur le lève-personne lorsque l'alimentation principale est coupée.

⚠ AVERTISSEMENT

NE CHARGEZ PAS un lève-personne électrique dans une salle de bains ou une salle de douche.

8. Périodicité d'entretien

Tous les produits Oxford sont conçus de manière à ne nécessiter qu'un entretien minimal; toutefois, certaines vérifications et procédures de sécurité sont nécessaires. Un tableau des tâches QUOTIDIENNES est présenté ci-après. Des vérifications quotidiennes et un entretien, une inspection et un essai semestriel garantissent que le lève-personne fonctionne parfaitement. Une liste de pièces détachées est disponible sur demande.

L'ESSAI DE CHARGE et la certification doivent être effectués par du personnel qualifié ou un agent / concessionnaire d'entretien autorisé.

LISTE DES VÉRIFICATIONS QUOTIDIENNES: Joerns Healthcare vous conseille vivement d'effectuer les vérifications suivantes chaque jour et avant d'utiliser le lève-personne.

- ASSUREZ-VOUS que le lève-personne se déplace facilement sur ses roulettes.
- ASSUREZ-VOUS que la barre d'écartement tourne et pivote facilement.
- VÉRIFIEZ qu'elle barre d'écartement/chassis est bien fixée sur la flèche.
- RECHERCHEZ les signes d'usure sur les crochets des courroies de la barre d'écartement/chassis et sur les dispositifs de suspension latéraux.
- ASSUREZ-VOUS que les pieds s'ouvrent et se referment correctement.
- ACTIONNEZ la commande manuelle ou l'unité hydraulique pour confirmer que la flèche se soulève et s'abaisse normalement.
- Les appareils électriques ACTIVÉS permettent de vérifier le fonctionnement du bouton d'arrêt d'urgence.
- INSPECTEZ les courroies afin de déceler tout éventuel signe d'effilochage ou d'usure. N'UTILISEZ PAS de courroie endommagée.
- ASSUREZ-VOUS que l'alarme de batterie faible ne se déclenche pas lorsque la commande manuelle est actionnée. Si l'alarme retentit, N'UTILISEZ PAS l'appareil et mettez-le sous charge immédiatement.
- VÉRIFIEZ l'usure et le serrage de toutes les fixations.

ENTRETIEN, INSPECTION ET ESSAIS

Joerns healthcare recommande d'effectuer régulièrement une inspection et des essais poussés du lève-personne Oxford Stature et des accessoires, courroies, etc. La fréquence des inspections varie selon l'endroit. Veuillez vous renseigner auprès de votre revendeur et / ou d'un organisme gouvernemental local sur la périodicité requise des inspections. Les examens et les essais doivent être effectués suivant les recommandations et les procédures énoncées dans le présent manuel. Dans la mesure du possible, Joerns Healthcare recommande que l'entretien, les inspections et les essais certifiés soient effectués uniquement par un agent d'entretien ou un revendeur agréé.

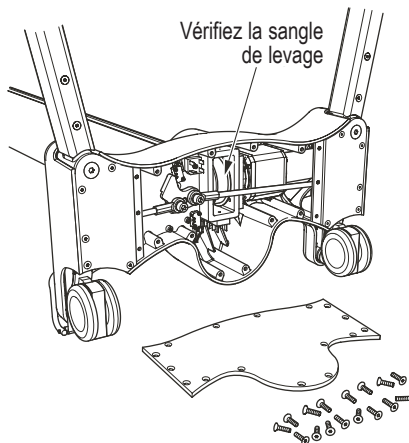
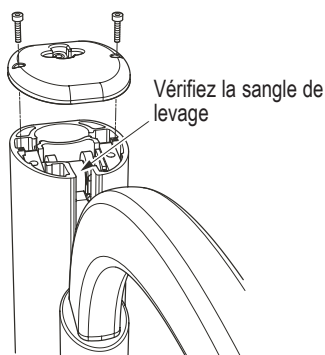
REMARQUE: Ces recommandations sont conformes aux normes d'Hygiène et de Sécurité N° 2307 de 1998. Réglementations sur les opérations et l'équipement de levage 1998. Il s'agit d'une réglementation du Royaume-Uni. En dehors du Royaume-Uni, veuillez vous renseigner sur les règlements de votre pays.

***CES VÉRIFICATIONS DOIVENT PORTER SUR :**

	Initialement	Avant utilisation	Intervalle d'entretien
1. BARRE D'ÉCARTEMENT/CHASSIS: Vérifiez que la barre d'écartement/chassis tourne et pivote librement. Vérifiez l'absence d'usure sur le pivot central. Assurez-vous qu'elle est solidement fixée sur la flèche.	✓	✓	
2. FLÈCHE: Vérifiez que la flèche est fixée sur le mât. Assurez-vous que le mouvement de la flèche est minimal.	✓	✓	
3. MÂT: vérifiez s'il est fermement connecté au châssis.	✓	✓	
4. BOÎTIER DE RENVOI DU MOTEUR: Hormis la vérification du bon fonctionnement et la recherche de bruits inhabituels, le boîtier de renvoi du moteur ne nécessite en principe aucun entretien.			✓
5. BLOC D'ALIMENTATION: Vérifiez le fonctionnement des boutons d'arrêt d'urgence et de descente d'urgence.	✓	✓	
6. BATTERIES: Les batteries sont logées dans le bloc d'alimentation et, à l'exception de recharges régulières effectuées conformément aux instructions de charge, elles ne nécessitent en principe aucun entretien. Vérifiez la propreté des connexions. Confirmez que le support de batterie est fixé et intact.			✓
7. RÉGLAGE DES PIEDS: Vérifiez que les pieds s'étendent complètement (vers l'intérieur / l'extérieur).	✓	✓	
8. ROULETTES: Vérifiez que toutes les roulettes sont solidement fixées sur les pieds. Vérifiez que les roulettes et les roues tournent librement.	✓	✓	
9. NETTOYAGE: Essuyez avec un chiffon propre, en utilisant de l'eau savonneuse et/ou un désinfectant pour surfaces dures. Les produits de nettoyage chimiques corrosifs ou abrasifs doivent être évités, car ils peuvent endommager la finition du lève-personne. Évitez de mouiller excessivement, surtout les zones électriques et l'ouverture à la base du lève-personne. Nous recommandons d'imprégner le chiffon de solution, de presser l'excès de liquide et d'essuyer la surface du lève-personne.			✓
10. ESSAI DE CHARGE: L'essai de charge doit être effectué conformément aux procédures d'essai préconisées par le fabricant. (reportez-vous au manuel d'entretien). Nous vous conseillons vivement de faire tester l'appareil par un spécialiste agréé.			✓
11. BASE ET ROUES: Assurez-vous que la base est régulière et nivelée (les quatre roues reposent sur le sol).	✓	✓	
12. COURROIES: Vérifiez qu'elles ne sont pas usées, ni effilochées.	✓	✓	✓

***CES VÉRIFICATIONS DOIVENT PORTER SUR :**

	Initialement	Avant utilisation	Intervalles d'entretien
13. LUBRIFICATION: Huilez les joints pivotants, y compris les pièces reliant le mât et la flèche, l'ensemble de la pédale, la barre d'écartement et le joint (seulement si nécessaire).			✓
14. COMBINÉ: Vérifiez qu'il est totalement branché dans le contrôleur.	✓	✓	
15. GOUPILLE À DÉVERROUILLAGE RAPIDE: Vérifiez que la goupille est bien insérée avant de soulever en appuyant sur l'extrémité crantée.	✓	✓	
16. FIXATIONS : Vérifiez que les écrous, boulons, vis et fixations ne présentent pas de signe d'usure et sont correctement serrés. Remplacez-les si nécessaire.			✓
17. SANGLE DE LEVAGE: L'usure de votre sangle de levage doit être vérifiée lors de l'entretien de routine (tous les six mois, de préférence). Pour voir la sangle, il est recommandé de déposer le capuchon en haut du mât et d'effectuer un cycle de levage dans les deux sens tout en observant l'état de la sangle. Si vous voyez une usure (un effilochement ou un craquèlement ou un phénomène similaire), il est conseillé qu'un revendeur Joerns Healthcare ou un ingénieur d'entretien qualifié, compétent et agréé, remplace IMMÉDIATEMENT la sangle. Pour plus de détails sur l'entretien et le remplacement des sangles, veuillez demander notre guide d'entretien détaillé. (Voir les détails ci-dessous.)		✓	✓



9. Spécifications techniques

Charge maximale d'utilisation	500 lbs	227 kgs
Longueur maximale hors tout.....	54,7 pouces	1390 mm
Longueur minimale hors tout.....	50,8 pouces	1290 mm
Hauteur maximale hors tout.....	83,8 pouces	2130 mm
Hauteur minimale hors tout.....	76,6 pouces	1945 mm
Hauteur à portée maximale.....	77,8 pouces	1975 mm
Portée à hauteur maximale.....	24,6 pouces	625 mm
Portée à hauteur minimale.....	24,6 pouces	625 mm
Portée maximale.....	24,6 pouces	625 mm
Rayon de braquage.....	61,0 pouces	1550 mm
Pieds ouverts - Largeur externe.....	53,5 pouces	1360 mm
Pieds ouverts - Largeur interne.....	48,4 pouces	1230 mm
Pieds fermés - Largeur externe.....	29,9 pouces	760 mm
Pieds fermés - Largeur interne.....	25,1 pouces	640 mm
Hauteur des pieds, hors tout.....	4,3 pouces	110 mm
Garde au sol.....	1,2 pouces	30 mm
Roulettes jumelées avant.....	4 pouces	100 mm
Roulettes arrière à freins.....	4 pouces	100 mm

*Portée = distance entre le centre de la barre d'écartement et l'avant du mât

Berceau à positionnement en 4 points (mesure en haut des goujons de placement)

REMARQUE: le berceau de positionnement à 4 points est monté en série sur le lève-personne Stature.

Hauteur maximum du berceau.....	63,3 pouces	1610 mm
Hauteur minimum du berceau (utile).....	12,2 pouces	310 mm

Barre d'écartement à 6 points (mesure en haut des goujons de placement)

REMARQUE: le berceau de positionnement à 6 points est monté en option sur le lève-personne Stature.

Hauteur maximale de la barre d'écartement.....	77,7 pouces	1975 mm
Hauteur minimale de la barre d'écartement.....	26,6 pouces	675 mm

Poids

Ensemble mât, base et flèche.....	142 lbs	64,5 kgs
Berceau à positionnement en 4 points.....	13,2 lbs	6 kg
Bloc d'alimentation.....	6,6 lbs	3 kgs
Total.....	162 lbs	73,5 kgs

Toutes les mesures sont indiquées avec une tolérance de +5 / -5.

SPÉCIFICATIONS ÉLECTRIQUES

BATTERIES 12 volts, type plomb-acide, scellées rechargeables

CAPACITÉ DES BATTERIES 3,2 A / h

VALEURS NOMINALES D'ENTRÉE DU CHARGEUR 230 Vca, 50 / 60 Hz

VALEURS NOMINALES DE SORTIE DU CHARGEUR 27,4 / 29,0 Vcc à 0,8 A

Protection Contre les Décharges Électriques

CHARGEUR CLASSE II

LÈVE-PERSONNE SOURCE D'ALIMENTATION INTERNE

Degré de Protection Contre les Décharges

CHARGEUR TYPE B

LÈVE-PERSONNE TYPE B

ENVIRONNEMENT DE

FONCTIONNEMENT PRÉVU $>+5^{\circ}$ $<+40^{\circ}$.

En dehors de ce type d'environnement, le fonctionnement et la sécurité de l'appareil peuvent être compromis.

BOÎTIER DE RENVOI DU MOTEUR Type planétaire

Sangle Nylon tissé

10. Garantie

Joerns Healthcare dispose d'un réseau établi de distributeurs et revendeurs réputés qui se feront un plaisir de répondre à toutes vos questions concernant l'achat, la garantie, les réparations et l'entretien.

Nos produits sont garantis 24 mois à compter de la date de fabrication ou 24 mois à compter de la date d'achat s'ils sont mis en service par un revendeur autorisé. La présente garantie couvre la structure, le moteur, le boîtier de commande, le combiné et la batterie du lève-personne pour les défauts/défaillances de fabrication.

Nous vous conseillons de faire installer, entretenir et réparer vos appareils pour votre revendeur. C'est ce dernier, ou le distributeur qui est responsable du programme de garantie. Il est donc important de conserver leurs noms, adresses et numéros de téléphone afin de pouvoir les joindre si un problème survient.

Le non-respect du calendrier d'entretien du lève-personne peut entraîner l'annulation de la garantie.

Si vous ne savez pas où l'appareil a été acheté, son numéro de série permettra à Joerns Healthcare de localiser le fournisseur.

N'OUBLIEZ PAS! de contacter votre distributeur au sujet d'achats, de garantie, de réparations, et révisions et d'entretien certifié.

Votre distributeur:



Kontaktinformationen des Herstellers

Oxford®

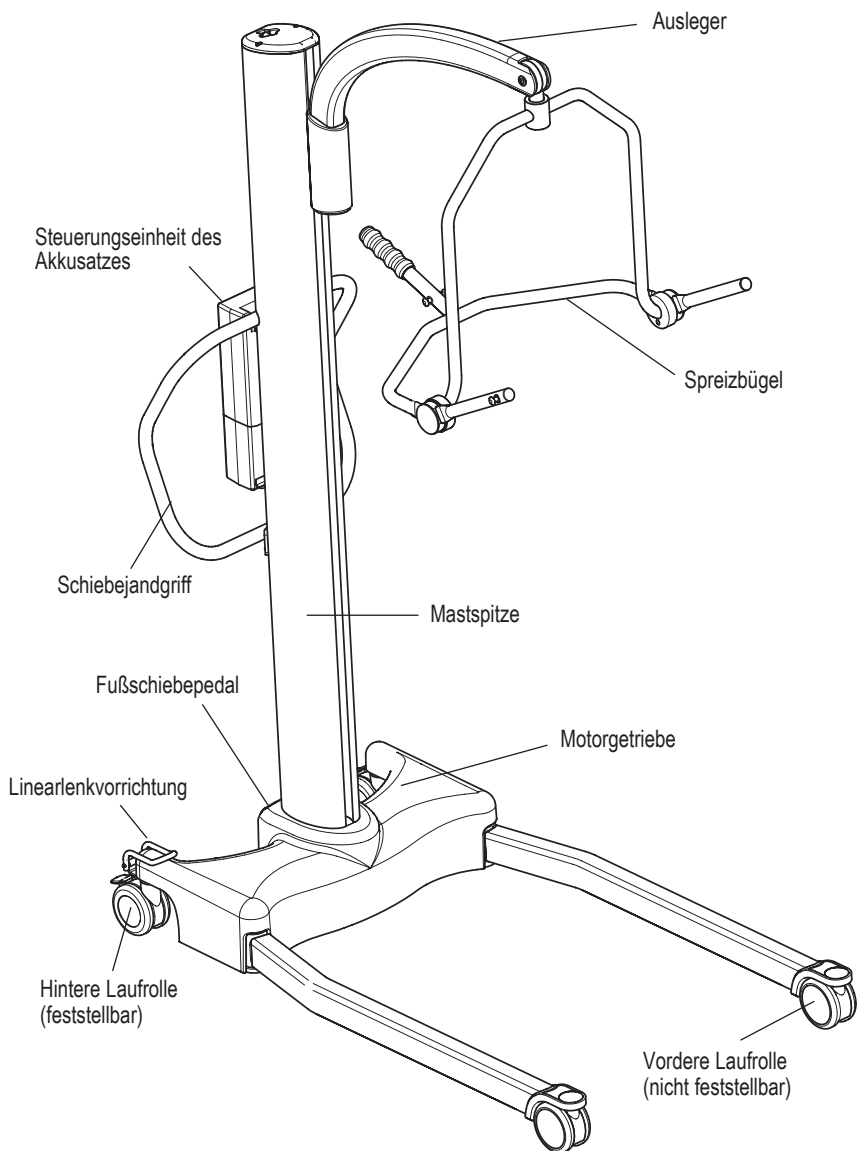
EUROPA

Joerns Healthcare Limited
Drakes Broughton Business Park, Worcester Road
Drakes Broughton, Pershore, Worcestershire
WR10 2AG United Kingdom
Tel: 0844 811 1156 • Fax: 0844 811 1157
info@joerns.co.uk • www.joerns.co.uk

Inhalt

1. Oxford Stature Patientenlifter	51
2. Einführung: Über Den Lifter	52
3. Montage und Inbetriebnahme	53
4. Sicherheitshinweise	57
5. Betriebshinweise	59
6. Entfernen des Sechspunkt-Spreizbügels und des Vierpunktgestells	63
7. Aufladen der Akkueinheit	65
8. Wartungsplan und tägliche Prüfliste	67
9. Technische Daten	70
10. Garantie	72

1. Oxford Stature Patientenlifter



**VOR DEM EINSATZ IHRES „STATURE“ LIFTERS MÜSSEN SIE DIESES
BENUTZERHANDBUCH GELESEN UND VERSTANDEN HABEN**

2. Einführung: Über den Lifter

Der Oxford Stature ist ein elektrisch betriebener Patientenlifter. Der Stature-Lifter wird vor der Auslieferung vollständig montiert, unter Last getestet und zertifiziert.

Die Verpackung besteht aus einem festen, zweckmäßig geformten Versandkarton für den sicheren Transport des Lifters und wird sowohl für den heimischen Markt als auch für den Export verwendet.

Mit jedem Lifter werden die zugehörigen Dokumente in einer beiliegenden Tasche geliefert, die für die spätere Verwendung sicher aufbewahrt werden müssen.

- BENUTZERHANDBUCH
- HÄNDLER-GARANTIEKARTE (Nur in Europa)
- PRÜFZERTIFIKAT
- KUNDENDIENST-KARTE (Nur in Europa)
- PACKPRÜFLISTE

Das PRÜFZERTIFIKAT ist ein wichtiges Dokument und ist für Ihre Versicherungsdokumentation erforderlich. Es ist sechs Monate lang gültig, und nach Ablauf dieser Zeit muss der Lifter gemäß Wartungsplan von einem fachkundigen, befugten Techniker inspiziert und gewartet werden.

Die Wartung und regelmäßige Überprüfung kann durch Ihren autorisierten Lieferanten erfolgen. Vergewissern Sie sich, dass der Lifter im entsprechenden Wartungskalender eingetragen ist. Wenn Sie unsicher sind, welche Wartungsanforderungen für Ihren lokalen Markt gelten, erkundigen Sie sich bei Ihrem Händler und/oder bei der zuständigen Behörde.

Der Oxford Stature eignet sich für folgende KATEGORIEN von Hebevorgängen im Rahmen der Arbeitsparameter des Lifters, die unter TECHNISCHE DATEN angegeben sind (see Contents page).

- Kategorie A - Rollstuhl
- Kategorie B - Bett
- Kategorie C - Bad (je nach Einrichtung)
- Kategorie D - Toilette/Duschsitz
- Kategorie E - Fußboden
- Kategorie F - 90-Grad-Drehung

Der Oxford Stature eignet sich für Patienten in SITZENDER, SITZENDER/LIEGENDER und LIEGENDER Position. Folgende Gurte sind für dieses Gerät geeignet:

- Oxford Quickfit
- Oxford Access
- Oxford Full Back
- Oxford Comfort
- Oxford Quickfit Deluxe
- Oxford Silkfit
- Oxford Long Seat

Das CE-Zeichen:



Der Oxford Stature trägt das CE-Zeichen und erfüllt die folgenden EU-Richtlinien:

- Richtlinie über Medizinprodukte (93/42/EWG)
- EMC-Verordnung (89/336/EWG)
- Niederspannungsrichtlinie (73/23/EWG)

3. Montage und Inbetriebnahme

Stellen Sie den Versandkarton in einem freien Arbeitsbereich auf und öffnen Sie ihn vorsichtig. Der Karton enthält folgende Teile:

- Oxford STATURE LIFTER
- TASCHE MIT DOKUMENTEN
- HANDBEDIENUNG
- AKKUEINHEIT
- TISCHLADEGERÄT/STÄNDER/LADEKABEL
- BEFESTIGUNGS-KIT (INKL. SCHRAUBEN, INBUSSCHLÜSSEL, INNENSECHSKANT, ABDECKBLECH)

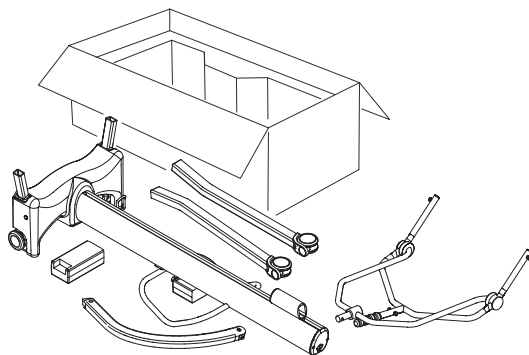
⚠ WARNUNG

Der Oxford Stature ist schwer und muss vorsichtig gehoben werden. Holen Sie sich Hilfe, um den Oxford Stature aus dem Karton zu heben.

MONTAGE

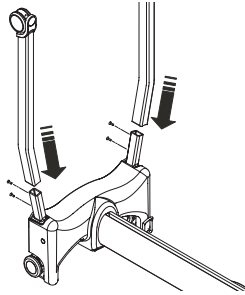
Nehmen Sie alle Teile aus dem Karton heraus, legen Sie sie auf den Boden und achten Sie darauf, dass die Oberfläche des Geräts nicht beschädigt wird.

1. Stellen Sie den Rahmen und den Mast (die miteinander verbunden sind) an einer freien Stelle auf. Der Mast und der Rahmen sollten auf dem Schiebehandgriff ruhen, wodurch sichergestellt wird, dass das Produkt beim Anschluss der Träger und des Auslegers stabil bleibt.



2. Befestigen Sie die Träger mit Hilfe der mitgelieferten 6-mm-Senkschrauben (zwei pro Träger) am Rahmen.

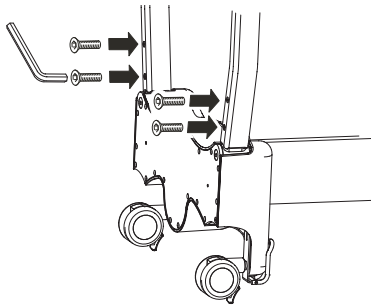
HINWEIS: Es gibt einen rechten und einen linken Träger, die wie unten gezeigt konfiguriert sind.



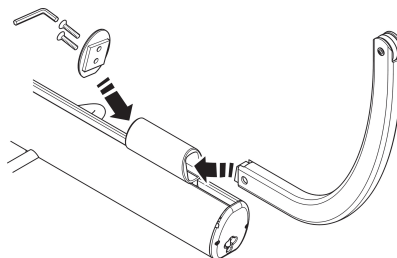
3. Ziehen Sie die auf beiden Seiten des Rahmens befindlichen 6-mm-Schrauben mit Hilfe des mitgelieferten Inbusschlüssels fest.

⚠ WARNUNG

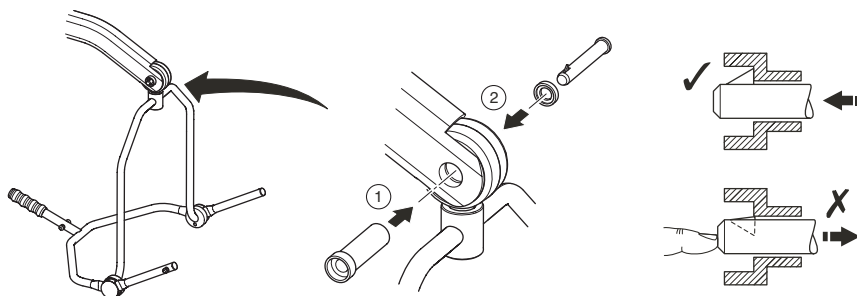
Die Schrauben müssen fest angezogen werden.



4. Setzen Sie den gekrümmten Auslegerabschnitt in den Auslegerschlitten ein. Befestigen Sie die Baugruppe, indem die beiden 6-mm-Senkschrauben wie unten gezeigt in das mit dem Befestigungs-Kit gelieferte blaue Abdeckblech eingesetzt und festgezogen werden.



5. Befestigen Sie das Vierpunktgestell durch Einsetzen des Spannstifts am Ausleger des Lifters. Vergewissern Sie sich, dass der Stift sicher montiert ist.

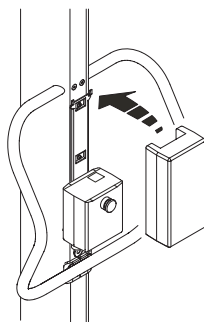
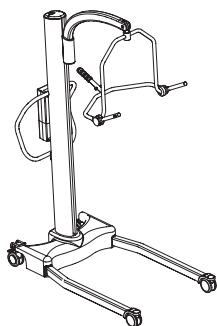


6. Stellen Sie den Stature aufrecht und ziehen Sie die Bremsen an.

⚠ WARNUNG

Beim Anheben des Stature mit Vorsicht vorgehen, da das Gerät schwer ist.

Stecken Sie den Stecker der Handbedienung in den Boden des am Mast angebrachten Steuerkastens ein; achten Sie auf die korrekte Ausrichtung zur Steckerbuchse. Setzen Sie die Akkueinheit in den Lifter ein und vergewissern Sie sich, dass der Verschluss, der die Einheit an ihrem Platz hält, vollständig und mit einem hörbaren Klickgeräusch einrastet.

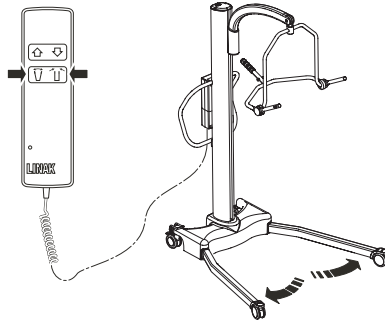


DEMONTAGE

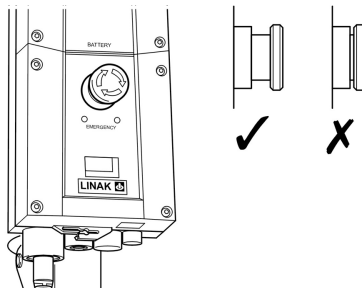
Der Lifter sollte nur bei Bedarf für Wartung, Reparatur oder Transport demontiert werden. Dabei sind die Montageanweisungen in umgekehrter Reihenfolge zu befolgen.

PRÜFEN SIE VOR DEM BETRIEB STETS DIE FOLGENDEN PUNKTE

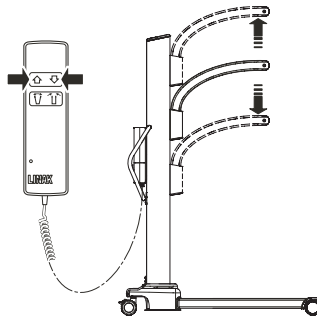
- Drücken Sie die Tasten ÖFFNEN und SCHLIESSEN auf der Handbedienung um zu bestätigen, dass sich die Träger des Lifters wie gewünscht öffnen und schließen lassen.



- Der rote Not-Aus-Knopf auf der Rückseite der Steuereinheit befindet sich in der Position OFF (Aus).



- Drücken Sie die Aufwärts- und Abwärts-Tasten auf der Handbedienung und vergewissern Sie sich, dass sich der Ausleger wie gewünscht hebt und senkt.



4. Sicherheitshinweise

Lesen und befolgen Sie die nachfolgend aufgeführten Sicherheitshinweise. Wenn Sie diese grundlegenden Sicherheitsvorkehrungen beachten, ist der Hebebetrieb leicht und problemlos.

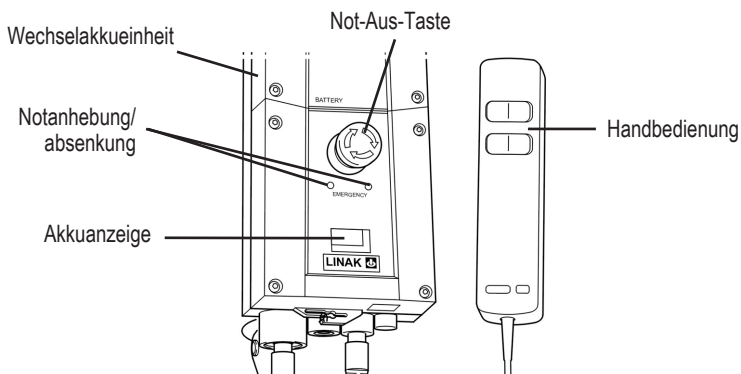
⚠ WARNUNG

- Vergewissern Sie sich **STETS**, dass die zulässige Arbeitsbelastung des Lifters für das Gewicht des Patienten ausreicht.
- **Überschreiten Sie NICHT** die zulässige Betriebslast des Lifters, da andernfalls ein Strombegrenzungsregler aktiviert wird, der die weitere Verwendung des Lifters verhindert.
- Planen Sie die mit dem Lifter auszuführenden Aufgaben **STETS**, bevor Sie beginnen.
- Gehen Sie vor **JEDEM** Einsatz des Lifters die **TÄGLICHE PRÜFLISTE** durch.
- Machen Sie sich vor **JEDEM** Heben von Patienten mit den Bedienungselementen und Sicherheitseinrichtungen des verwendeten Lifters vertraut.
- Verwenden Sie **KEINE** Gurte, die nicht ausdrücklich zur Verwendung mit diesem Lifter empfohlen werden.
- Prüfen Sie **STETS**, ob der Gurt für den speziellen Patienten geeignet ist und die korrekte Größe und Tragfähigkeit besitzt.
- Verwenden Sie **NIEMALS** Gurte, die ausgefranst oder beschädigt sind.
- Passen Sie die Gurte **STETS** gemäß den Anweisungen (Benutzerhandbuch) an.
- Achten Sie **STETS** darauf, dass sich die Riemengurte **NICHT** um die Träger des Lifters herum verfangen.
- Bedienen Sie den Lifter **STETS** gemäß den Anweisungen im Benutzerhandbuch.
- Bedienungs- oder Sicherheitselemente dürfen **AUF KEINEN FALL** entfernt oder außer Kraft gesetzt werden, um den Lifter-Betrieb zu vereinfachen.
- Heben Sie Patienten **NIEMALS** mit festgestellten Laufrollen an. Der Lifter muss sich stets auf den richtigen Schwerpunkt positionieren können.
- Manövrieren Sie den Lifter **NIEMALS** durch Schieben am Mast, Ausleger oder am Patienten.
- Manövrieren Sie den Lifter **STETS** mit Hilfe des am Mast angebrachten Handschiebegriffs. Ein Fußschiebepedal ist ebenfalls am Unterteil des Lifters angebracht.
- Senken Sie den Patienten vor Beginn des Transfers **STETS** auf die niedrigste bequeme Position.

- Schieben Sie den beladenen Lifter NICHT bei Geschwindigkeiten, die über einer langsamen Schrittgeschwindigkeit liegen (3 km/h, 0,8 m/s).
- Schieben Sie den Lifter NICHT über unebene oder raue Flächen, insbesondere wenn er beladen ist.
- Schieben/ziehen Sie den beladenen Lifter NICHT über Hindernisse am Boden.
- Betätigen Sie die Bedienungs-/Sicherheitselemente NIEMALS mit Gewalt. Alle Elemente sind leichtgängig und ohne größere Kraftanstrengung zu betätigen.
- Parken Sie den beladenen Lifter NICHT auf schiefen Ebenen.
- Verwenden Sie elektrische Lifter NICHT in Duschbädern.
- Laden Sie elektrische Lifter NICHT in Bädern oder Duschräumen auf.
- Heben Sie KEINE Patienten, wenn Sie nicht dafür ausgebildet und kompetent sind.
- IHR Lifter ist zum Heben von Patienten konzipiert worden. Er darf von Ihnen oder anderen für KEINE anderen Zwecke verwendet werden.
- Der Lifter darf in beladenem oder in unbeladenem Zustand KEINE Stufen herunter geschoben werden.
- Führen Sie den beladenen Lifter NICHT über schiefe Ebenen mit mehr als 1:12 (ca. 5 Grad) Gefälle.
- Führen Sie den Lifter NICHT ohne zweiten Helfer über schiefe Ebenen.
- Verwenden Sie ihn NICHT in einer feuchten oder korrosiven Umgebung wie z. B. an einem Schwimmbecken.
- Den Lifter bei Vollbeladung NICHT auf besonders dicken, weichen Teppichen verwenden.
- Lifter NIEMALS mit lockeren, verschlissenen oder fehlenden Teilen bzw. Befestigungselementen verwenden.

5. Betriebshinweise

BEDIENUNG



1. Einstellen der Fahrgestellbreite

Die Breite des Fahrgestells am Oxford Stature ist elektrisch einstellbar. Das Fahrgestell kann gespreizt werden, um Sessel oder Rollstühle zu umschließen. Für den Transfer durch enge Türen und Durchgänge sollte das Fahrgestell zusammengeführt werden.

Elektrisches Einstellen der Fahrgestellbreite - Drücken Sie auf der Handbedienung die entsprechenden Tasten. Das Fahrgestell wird festgestellt, wenn der Handbedienungsschalter losgelassen wird.

2. Laufrollen und Feststellbremsen

Der Lifter besitzt zwei feststellbare Laufrollen, die beim Abstellen benutzt werden. Beim Heben müssen die Laufrollen frei und nicht festgestellt sein. Der Lifter kann sich dann zum Schwerpunkt des Lifters hin bewegen. Wenn Sie die Bremse betätigen, kann der Patient beim Heben mit festgestellten Laufrollen möglicherweise zum Schwerpunkt schwenken, was beunruhigend oder unangenehm sein kann. An der hinteren Laufrolle ist eine Linearlenkvorrichtung angebracht, die, falls eingesetzt, die geradlinige Bewegung der Laufrolle erleichtert.

3. Heben und Senken des Auslegers

Die Bewegung des Auslegerschlittens erfolgt mit Hilfe eines leistungsstarken Motorgetriebes, das mit einer einfachen Handbedienung gesteuert wird. Auf der Handbedienung befinden sich zwei Taster mit den Richtungspfeilen AUFWÄRTS und ABWÄRTS. Das Motorgetriebe stoppt automatisch in der oberen bzw. unteren Endlage. Die Handbedienung ist an einer Buchse unten an der Steuereinheit angeschlossen. Sicherheitshinweis- Die Abwärtsbewegung des Auslegers stoppt, wenn der Lifter erkennt, dass der Patient auf ein Hindernis gestoßen ist.

4. Not-Aus-Taste

Die rote Not-Aus-Taste befindet sich auf der Vorderseite der Steuereinheit und wird durch Drücken ausgelöst. In diesem Fall wird die gesamte Stromzufuhr zum Lifter unterbrochen. Um den Not-Aus-Zustand aufzuheben, wird die Taste gegen den Uhrzeigersinn gedreht und losgelassen.

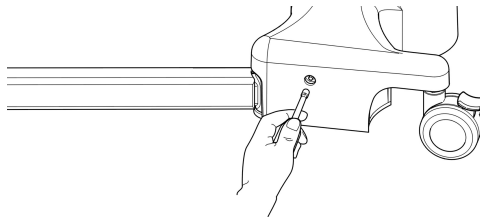
5. Elektrische Notabsenkung/-anhebung

Die Taste für die Notabsenkung (Abwärts) und -anhebung (Aufwärts) befindet sich auf der Vorderseite der Steuereinheit. Sie wird ausgelöst, indem Sie eine Kugelschreiberspitze auf die mit $\uparrow\downarrow$ gekennzeichnete Taste drücken. Mit dieser Funktion kann der Ausleger jederzeit gehoben oder gesenkt werden, wenn die Handbedienung ausfällt.

6. Mechanische Notabsenkung

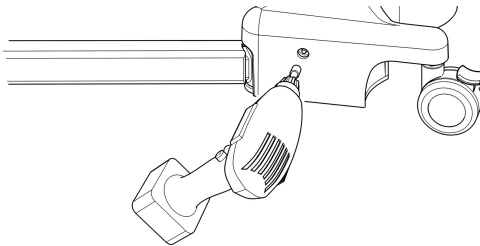
Für den Fall eines kompletten Stromausfalls ist der Stature-Lifter mit einem mechanischen Senkmechanismus ausgestattet. Diese Vorrichtung befindet sich auf der linken Seite des Lifterrahmens.

Der Senkmechanismus wird betätigt, indem ein 6-mm-Sechskant in die Öffnung und auf die Vorrichtung gesteckt wird; der Lifter wird dann durch Drehen im Uhrzeigersinn gehoben und durch Drehen im Gegenuhrzeigersinn abgesenkt. Das kann manuell mit einem Inbusschlüssel durchgeführt werden.



Empfehlung

Um den Ausleger schneller anzuheben oder abzusenken, wird empfohlen, einen 6-mm-Sechskant in Verbindung mit einem Adapter für Zoll-Antrieb und einen reversiblen elektrischen Bohrer zu verwenden. (Hinweis: nicht die Schlagbohreinstellung verwenden). Dadurch lässt sich die Geschwindigkeit erhöhen, mit der der Patient gefahrlos angehoben oder abgesenkt werden kann. Ein 6-mm-Sechskant befindet sich in der oberen Abdeckung auf der Mastspitze.



HINWEIS: Vor dem Anheben oder Absenken des Patienten müssen Sie sich vergewissern, dass Sie Ihren Bestimmungsort sorgfältig gewählt haben. Zum Beispiel zurück auf einen Stuhl oder ein Bett.

7. Akkus

Die Akkus werden durch einen LADEZUSTANDSALARM vor zu starker Entladung geschützt. Dieser Alarm ertönt bei Betätigung der Handbedienung, wenn die Akkus aufgeladen werden müssen. Der Alarmton wird nur dann ausgelöst, wenn die Handbedienung betätigt wird. **DIESER ALARM IST UNBEDINGT ZU BEACHTEN.** Führen Sie den Hebevorgang zu Ende und laden Sie die Akkus auf (siehe „Aufladen der Akkueinheit“).

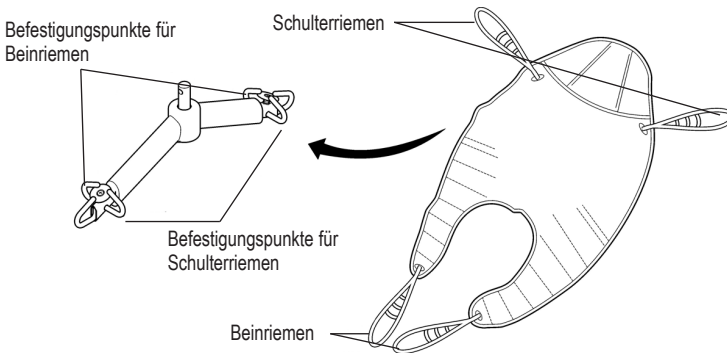
8. Gurte

Der Oxford Stature bietet die Wahl zwischen einem Sechspunkt- Spreizbügel und einem Vierpunkt-Rahmen. Diese beiden Systeme verwenden verschiedene Befestigungsmethoden und Gurte. Das Sechspunktsystem verwendet Gurte mit Gurtschlingen, die ein Einstellen der Position durch die Auswahl verschiedenfarbiger Schlingen ermöglichen. Das Vierpunktsystem verwendet das System der Securiclip-Sicherheitsclips. Es wird durch Drehen des Vierpunkt-Rahmen eingestellt.

Schleifenriemengurte: Oxford Quickfit, Full Back, Quickfit Deluxe, Long Seat, Access und Silkfit.

Sicherheitsclipgurte: Oxford Comfort

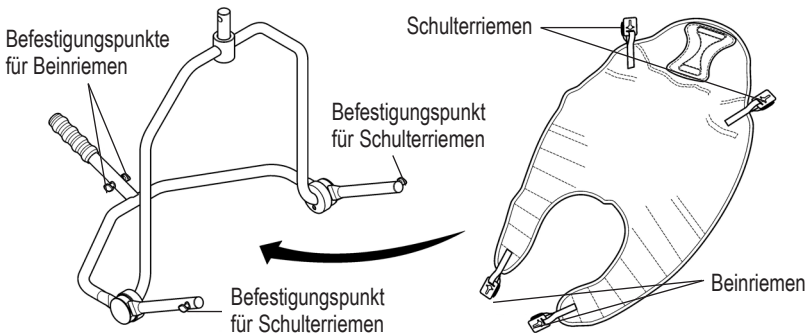
Das Sechspunktsystem wird an den Haken des Hehebügels mit Schleifenriemen befestigt (siehe unten). Für jeden Gurt werden spezielle Anweisungen mitgeliefert. Lesen Sie bitte vor Gebrauch die Anweisungen.



Sechspunkt-Spreizbügel

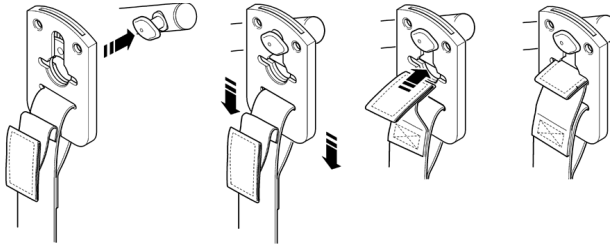
Beispiel für Sechspunkt-Spreizbügelgurt mit Befestigung durch Schleifen

Das Vierpunkt-Rahmengurt wird an den Ständer des Hehebügels mit einem Sicherheitsclipsystem befestigt (siehe unten). Für jeden Gurt werden spezielle Anweisungen mitgeliefert. Lesen Sie bitte vor Gebrauch die Anweisungen.



Vierpunkt-Rahmensystem

Beispiel für Vierpunkt-Rahmengurt mit Sicherheitsclipsystem.



Securi3 Schlingenbefestigungssystem. Installationsbeispiel.

HINWEIS: Für detaillierte Anleitungen zur Befestigung siehe die Bedienungsanleitung für die Gurte.

⚠ WARNUNG

Joerns Healthcare empfiehlt, die Gurte regelmäßig und vor dem Gebrauch auf Ausfransen oder andere Schäden zu prüfen. Verwenden Sie KEINE Gurte, die abgenutzt oder beschädigt sind.

⚠ WARNUNG

OXFORD EMPFIEHLT DIE VERWENDUNG VON ORIGINAL OXFORD-TEILEN. Bespannungen und Lifts von Oxford sind frei miteinander kombinierbar. Länderspezifische Angaben zur Bespannung und Kompatibilität finden Sie im Etikett der Bespannung oder wenden Sie sich an Ihren örtlichen Händler oder an Joerns Healthcare.

⚠ WARNUNG

Bitte beachten Sie die maximale Tragfähigkeit des Lifters. Die Kapazität der Gurte ist durch die maximale Tragfähigkeit des Lifters begrenzt.

6. Entfernen der Sechspunkt-Spreizbügel und Vierpunkt-Rahmen

DIESE ANWEISUNGEN BITTE GENAU BEFOLGEN

Ihr Stature-Patientenlifter kann sowohl mit einem Sechspunkt- wie auch einem Vierpunkt-system verwendet werden. Diese Systeme lassen sich mit Hilfe eines Schnellauslösestifts leicht entfernen. Dies lässt sich zwar schnell und einfach durchführen, Sie müssen jedoch die folgenden Sicherheitsanweisungen durchlesen, um sicherzustellen, dass der Spreizbügel/Rahmen vor Gebrauch sicher eingerastet ist.

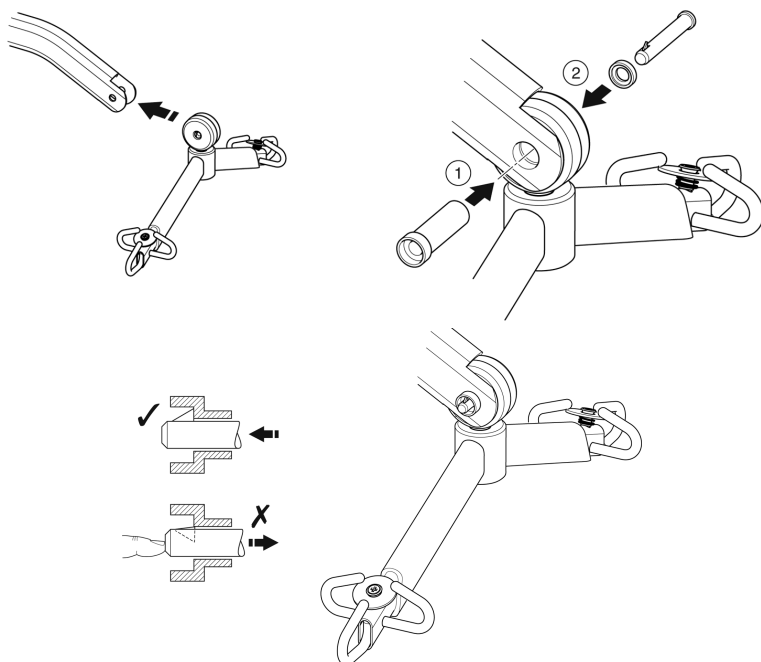
BEFESTIGUNG

Zur Befestigung den Spreizbügel/Rahmen zum Auslegerschlitze hin anheben.

Stiftbuchse zur Unterstützung den Spreizbügel/Rahmen durch die Plastikendkappe einsetzen.

Nach korrekter Ausrichtung im Auslegerschlitze den Schnellauslösestift bis zum Einrasten wieder vollständig in die Buchse einsetzen. SIE MÜSSEN ÜBERPRÜFEN, DASS DER STIFT SICHER BEFESTIGT IST.

Dazu den Finger in das gezahnte Ende drücken. Bleibt der Stift in seiner Position, kann der Lifter sicher genutzt werden.

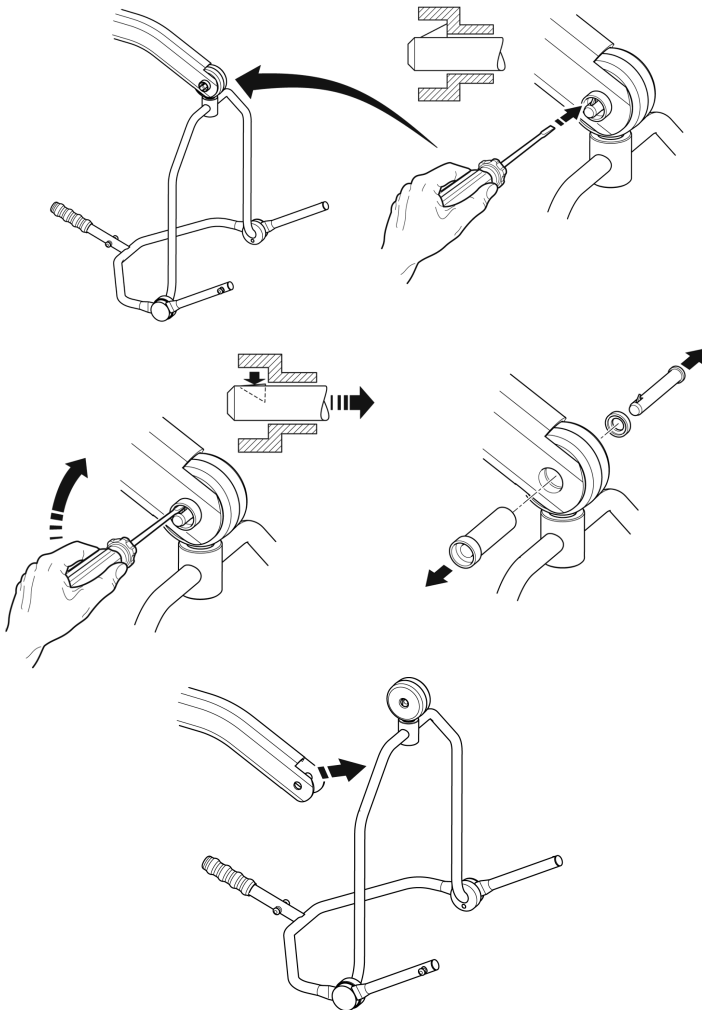


ENTFERNEN

VORSICHT: Stellen Sie sicher, dass Sie das Gewicht der Querstange stützen/Rahmen, bevor Sie den Stift entfernen.

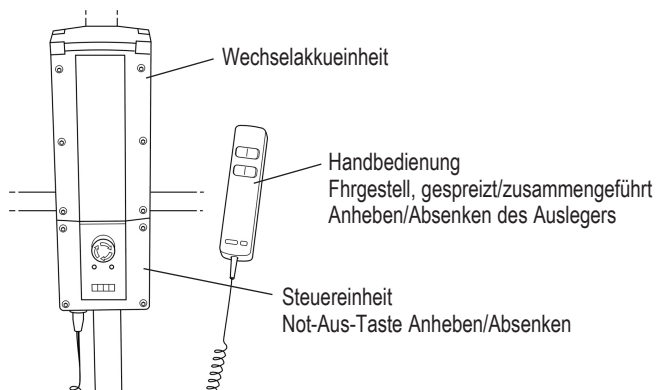
Um den Stift zu entfernen, die Steckfeder (mit Hilfe eines Flachschaubenziehers oder eines ähnlichen Werkzeugs) eindrücken und den Stift herausziehen.

Spreizbügel/Rahmen unterstützen und die Stiftbuchse in die entgegengesetzte Richtung ziehen, wobei sie vollständig vom Ausleger entfernt wird. Dadurch wird der Spreizbügel/Rahmen vollständig freigegeben.



7. Aufladen der Akkueinheit

Die Akkus befinden sich in der Akkueinheit und werden über eine externe Tischladeeinheit aufgeladen.



Wenn die Akkueinheit aufgeladen werden muss, wird sie vom Lifter entfernt und an eine externe Ladeeinheit angeschlossen.

Joerns Healthcare Ltd empfiehlt, eine Ersatz-Akkueinheit zu verwenden, sodass eine Einheit ständig geladen sein kann.

1. Entfernen Sie die Akkueinheit aus dem Lifter. Die Einheit ist mit einem einfachen Verschluss befestigt, der sich oben auf der Akkueinheit befindet. Wenn Sie den Verschluss anheben, wird die Akkueinheit freigegeben.
2. Schließen Sie die Akkueinheit an die Ladeeinheit an. Die Position und Befestigung der Akkueinheit an der Ladeeinheit ist dieselbe wie am Lifter.
3. Stecken Sie den Netzstromstecker des Ladegeräts in eine geeignete Netzsteckdose, und schalten Sie die Stromversorgung EIN.
4. Der Ladevorgang erfolgt automatisch, und die Akkus werden innerhalb acht bis zwölf Stunden vollständig aufgeladen. **Hinweis:** Auch wenn das Ladegerät längere Zeit angeschlossen bleibt, sind die Akkus vor Überladung geschützt.
 - a) Grünes Licht - Zeigt an, dass es eingeschaltet ist.
 - b) Gelbes Licht - Zeigt an, dass die Batterie geladen wird.
 - c) Batterie ist ganz aufgeladen, wenn das gelbe Licht ausgeht.

Hinweis: Der Ladevorgang dauert bis zu 4 Stunden.

Es wird empfohlen, die Batterie sofort nach dem Empfang aufzuladen.

5. Um den Lifter wieder in Betrieb zu nehmen, schalten Sie die Stromversorgung AUS und entfernen Sie die Akkueinheit vom Ladegerät. Setzen Sie die Akkueinheit in den Lifter ein und vergewissern Sie sich, dass der Verschluss, der die Einheit an ihrem Platz hält, vollständig eingerastet ist. Die Einheit muss mit einem klickenden Geräusch einrasten. Das Aufladen elektrischer Oxford Lifter ist einfach und direkt, aber es ist wichtig, die Ladeanweisungen genau zu befolgen. Beachten Sie bitte die folgenden Punkte, die Ihnen dabei helfen, Probleme mit entladene Akkus zu vermeiden.

⚠️ WARNUNG

Die Akkueinheit STETS voll aufladen. Lassen Sie die Akkueinheit immer aufladen, wenn sie nicht benutzt wird. Wenn es für Sie praktischer ist, laden Sie sie jede Nacht auf. Das Ladegerät schützt die Akkueinheit vor Überladen.

⚠️ WARNUNG

Die Akkueinheit NIEMALS vollständig entladen. Sobald der Ladezustandsalarm ertönt, führen Sie den gerade ausgeführten Hebevorgang zu Ende und beginnen den Aufladevorgang.

⚠️ WARNUNG

Die Akkueinheit STETS in regelmäßigen Abständen nachladen, wenn sie längere Zeit nicht verwendet wird.

⚠️ WARNUNG

STETS darauf achten, dass die Netzspannung zum Ladegerät ausgeschaltet ist, bevor das Ladegerät angeschlossen oder abgetrennt wird.

⚠️ WARNUNG

Die Akkueinheit NIEMALS am Ladegerät angeschlossen lassen, wenn die Netzspannung ausgeschaltet ist.

⚠️ WARNUNG

Laden Sie elektrische Lifter NICHT in Bädern oder Duschräumen auf.

8. Wartungsplan und Tägliche Prüfliste

Alle Oxford Produkte sind so konzipiert, dass sie nur ein Minimum an Wartung benötigen. Einige Sicherheitsprüfungen und -prozeduren sind jedoch unerlässlich. Im Folgenden sind die TÄGLICH auszuführenden Aufgaben aufgeführt. Tägliche Überprüfungen und alle sechs Monate Wartung, Inspektion und Prüfung gewährleisten, dass ein Lifter in optimalem, sicherem Funktionszustand bleibt. Eine Liste der Ersatzteile erhalten Sie auf Anfrage.

Die BELASTUNGSPRÜFUNG und -zertifizierung sollte nur von qualifiziertem Personal oder von autorisierten Servicevertretern / Händlern durchgeführt werden.

TÄGLICHE PRÜFLISTE: Joerns Healthcare empfiehlt dringend, dass der Lifter täglich vor der Benutzung auf folgende Punkte überprüft wird:

- VERGEWISSERN SIE SICH, dass sich der Lifter frei auf den Laufrollen bewegen kann.
- VERGEWISSERN SIE SICH, dass der Spreizbügel frei drehbar und schwenkbar ist.
- ÜBERPRÜFEN SIE, ob der Spreizbügel/Rahmen fest am Ausleger angebracht ist.
- ÜBERPRÜFEN SIE Gurthaken/Clips am Spreizbügel/Rahmen und Seitenaufhängungen auf übermäßigen Verschleiß.
- VERGEWISSERN SIE SICH, dass das Fahrgestell sich einwandfrei öffnet und schließt.
- BETÄTIGEN SIE die Handbedienung, um sicherzustellen, dass sich der Ausleger einwand frei hebt und senkt.
- PRÜFEN SIE die Funktionsfähigkeit der Not-Aus-Taste (nur bei Elektro-Ausführung).
- PRÜFEN SIE Gurte auf Ausfransen und andere Schäden. Beschädigte Gurte dürfen NICHT verwendet werden.
- PRÜFEN SIE, ob am Lifter ein Ladezustandsalarm vorliegt, wenn die Handbedienung betätigt wird, Wenn der Alarm ertönt, darf der Lifter NICHT verwendet werden und muss sofort aufgeladen werden.
- PRÜFEN Sie die Befestigungselemente auf festen Sitz und auf Abnutzung.

WARTUNG, INSPEKTION UND PRÜFUNG

Joerns Healthcare empfiehlt eine regelmäßige gründliche Inspektion und Prüfung des Oxford Stature Lifters und der Zubehörteile (Gurte, Waagen usw.). Die Häufigkeit der Inspektionen ist je nach Einsatzort unterschiedlich, d.h., Sie müssen sich bei Ihrem Händler oder bei der zuständigen Behörde vor Ort erkundigen, wie oft eine Inspektion durchgeführt werden muss. Die Untersuchung und der Test müssen nach den in diesem Handbuch angegebenen Empfehlungen und Verfahrensweisen durchgeführt werden. Joerns Healthcare empfiehlt, dass Wartung, Inspektion und zertifizierte Prüfungen nur von autorisierten Servicevertretern / Händlern durchgeführt werden.

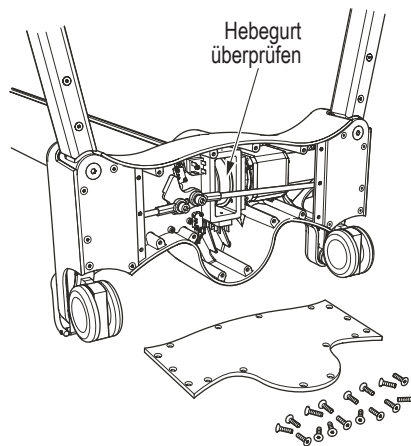
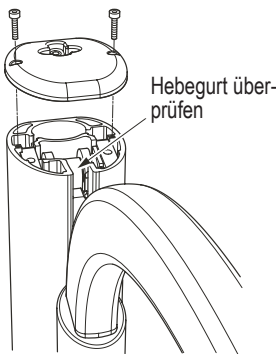
HINWEIS: Diese Empfehlungen entsprechen den Vorschriften für Großbritannien und Nordirland gemäß No2307 Health and Safety: The Lifting Operations and Lifting Equipment Regulations 1998 (Vorschriften zur Arbeitssicherheit für Hebevorgänge und Lifter). Außerhalb von Großbritannien und Nordirland gelten die Vorschriften des jeweiligen Landes.

***DIESE PRÜFUNGEN SOLLTEN UMFASSEN:**

	Anfangs	Vor dem Gebrauch	Wartungsintervalle
1. SPREIZBÜGEL/RAHMEN: Vergewissern Sie sich, dass der Spreizbügel/Rahmen frei dreh- und schwenkbar ist. Prüfen Sie den zentralen Stift auf Verschleiß. Prüfen Sie, dass der Stift fest mit dem Ausleger verbunden ist.	✓	✓	
2. AUSLEGER: Prüfen Sie die Verbindung von Ausleger und Mast. Stellen Sie sicher, dass der Ausleger sich nur geringfügig bewegen.	✓	✓	
3. MAST: Prüfen Sie, dass der Mast fest mit dem Rahmen verbunden ist.	✓	✓	
4. MOTORGETRIEBE: Das Motorgetriebe muss, abgesehen vom Prüfen auf korrekten Betrieb und außergewöhnliche Geräusche, nicht gewartet werden.			✓
5. AKKUEINHEIT: Prüfen Sie die Funktion der Not-Aus-Taste und der Notabsenkung.	✓	✓	
6. AKKUS: Die Akkus befinden sich in der Akkueinheit und müssen, abgesehen vom regelmäßigen Aufladen (siehe „Aufladen der Akkueinheit“), nicht gewartet werden. Achten Sie darauf, dass die Anschlüsse sauber bleiben. Vergewissern Sie sich, dass die Batteriehalterung sicher befestigt und nicht beschädigt ist.			✓
7. EINSTELLEN DER FAHRGESTELLBREITE: Prüfen Sie, dass das Fahrgestell nach innen und nach außen in vollem Umfang verstellt werden kann.	✓	✓	
8. LAUFROLLEN: Prüfen Sie, dass die Laufrollen fest mit dem Fahrgestell verbunden sind. Vergewissern Sie sich, dass die Laufrollen frei beweglich sind.	✓	✓	
9. REINIGUNG: Verwenden Sie zum Reinigen ein sauberes Tuch, Seife und Wasser und/oder Desinfektionsmittel für harte Oberflächen. Starke chemische Reinigungsmittel oder Scheuermittel sollten nicht verwendet werden, da diese die Oberfläche des Lifters angreifen. Vermeiden Sie übermäßige Benetzung, besonders in der Nähe der Elektronik und der Öffnung zum Unterteil des Lifters. Wir empfehlen, das Tuch in die Reinigungslösung einzutauchen, überschüssige Flüssigkeit auszudrücken und die Oberflächen des Lifters mit dem ausgedrückten Tuch abzuwischen.			✓
10. BELASTUNGSPRÜFUNG: Die Belastungsprüfung sollte gemäß den Prüfverfahren des Herstellers durchgeführt werden (siehe Wartungshandbuch). Es wird eindringlich empfohlen, dass die Prüfungen nur von autorisierten Servicevertretern durchgeführt werden.			✓
11. FAHRGESTELL UND ROLLEN: Vergewissern Sie sich, dass das Fahrgestell auf glattem, ebenem Boden steht. (alle vier Rollen haben Bodenkontakt)	✓	✓	
12. GURTE: Prüfen Sie auf Verschleiß und Ausfransen.	✓	✓	✓

***DIESE PRÜFUNGEN SOLLTEN UMFASSEN:**

	Anfangs	Vor dem Gebrauch	Wartungsintervalle
13. SCHMIERUNG: Schmieren Sie alle Drehgelenke, einschließlich Mast- und Auslegeranschlüsse, Pedal, Spreizbügelgelenk (nur nach Bedarf).			✓
14. HANDBEDIENUNG: Vergewissern Sie sich, dass sie vollständig in die Steuerung gesteckt ist.	✓	✓	
15. SCHNELLVERSCHLUSSSTIFT: Stellen Sie vor dem Heben sicher, dass der Stift fest sitzt, indem Sie auf das spitze Ende drücken.	✓	✓	
16. BEFESTIGUNGSTEILE: Überprüfen Sie alle Muttern, Schrauben, Bolzen und Verbindungselemente auf übermäßige Abnutzung und festen Sitz. Bei Bedarf auswechseln.			✓
17. HEBEGURT: Ihr Hebegurt muss zu den Wartungsintervallen auf Anzeichen von Verschleiß überprüft werden (idealerweise alle sechs Monate). Um den Gurt zu inspizieren, wird empfohlen, die Kappe oben am Mast abzunehmen und den Lifter in beide Richtungen zu bewegen, während der Zustand des Gurtes überprüft wird. Falls Sie Verschleiß (Ausfransen, Faltenbildung oder ähnliches) feststellen, wird empfohlen, den Gurt von einem autorisierten Joerns Healthcare Händler oder einem qualifizierten Wartungstechniker UNVERZÜGLICH austauschen zu lassen. Einzelheiten bezüglich der Wartung und des Austausches des Gurtes sind in der ausführlichen Wartungsanleitung enthalten, die auf Anfrage erhältlich ist. (Siehe weiter unten bezüglich Einzelheiten.)		✓	✓



9. Technische Daten

Zulässige Belastung	500 lbs	227 kgs
Maximale Gesamtlänge.....	54,7 Zoll	1390 mm
Minimale Gesamtlänge.....	50,8 Zoll	1290 mm
Maximale Gesamthöhe	83,8 Zoll	2130 mm
Minimale Gesamthöhe	76,6 Zoll	1945 mm
Höhe bei maximaler Reichweite.....	77,8 Zoll	1975 mm
Reichweite bei maximaler Höhe.....	24,6 Zoll	625 mm
Reichweite bei minimaler Höhe.....	24,6 Zoll	625 mm
Maximale Reichweite	24,6 Zoll	625 mm
Wenderadius	61,0 Zoll	1550 mm
Fahrgestell, gespreizt - Äußere Breite	53,5 Zoll	1360 mm
Fahrgestell, gespreizt - Innere Breite	48,4 Zoll	1230 mm
Fahrgestell, geschlossen - Äußere Breite	29,9 Zoll	760 mm
Fahrgestell, geschlossen - Innere Breite.....	25,1 Zoll	640 mm
Gesamthöhe des Fahrgestells	4,3 Zoll	110 mm
Bodenabstand	1,2 Zoll	30 mm
Doppelaufrollen vorne	4 Zoll	100 mm
Laufrollen mit Feststellbremse hinten	4 Zoll	100 mm

*Reichweite = Mitte Spreizbügel bis Vorderseite Mast

Vierpunktgestell (Messung bis zum oberen Ende der Passstifte)

HINWEIS: Das Vierpunktgestell gehört zur standardmäßigen Ausstattung des Stature-Lifters.

Max. Höhe des Gestells	63,3 Zoll	1610 mm
Min. Höhe des Gestells (nutzbar).....	12,2 Zoll	310 mm

Sechspunktspreizbügel (Messung bis zum oberen Ende der Passstifte)

HINWEIS: Das Sechspunktgestell ist wahlweise für den Stature-Lifter erhältlich.

Spreizbügel, maximale Höhe	77,7 Zoll	1975 mm
Spreizbügel, minimale Höhe	26,6 Zoll	675 mm

Gewicht

Mast, Fahrgestell, Ausleger.....	142 lbs	64,5 kgs
Vierpunktgestell	13,2 lbs	6 kgs
Akkueinheit.....	6,6 lbs	3 kgs
Gesamt.....	162 lbs	73,5 kgs

Alle Maßangaben mit +5/-5 Grad Toleranz.

ELEKTRISCHE DATEN

AKKUS: 12 V, wiederaufladbar, geschlossene
Blei/Säure-Akkus

AKKUKAPAZITÄT: 3,2 Ah

EINGANGSSPANNUNG DES LADEGERÄTS (NENNWERT): 230 V Wechselstrom, 50/60 Hz

AUSGANGSSPANNUNG DES LADEGERÄTS (NENNWERT): 27,4/ 29,0 V Gleichspannung bei 0,8 A

ÜBERSPANNUNGSSCHUTZ

LADEGERÄT KLASSE II

LIFTER INTERNE SPANNUNGSQUELLE

STOSSFESTIGKEIT

LADEGERÄT TYP B

LIFTER TYP B

VORGESEHENE UMGEBUNGSBEDINGUNGEN FÜR DEN BETRIEB: >+5 °C <+40 °C.

Außerhalb dieser Umgebungsbedingungen sind Funktionsfähigkeit und Sicherheit eventuell beeinträchtigt.

MOTORGETRIEBE Planetengetriebe

Gurt Nylongewebe

10. Garantie

Joerns Healthcare verfügt über ein Netzwerk von renommierten Vertriebspartnern und Händlern, die Ihre Kauf-, Garantie-, Reparatur- und Wartungsanfragen gerne bearbeiten.

Wir gewähren eine Produktgarantie von 24 Monaten ab Herstellungsdatum oder 24 Monate ab Verkaufsdatum, sofern das Produkt über einen autorisierten Händler bestellt worden ist. Die Gewährleistung gilt für den Lifter mit Hauptaufbau, Motor und Steuereinheit, Handbedienung und Akkusatz für Herstellungsfehler/Ausfälle.

Wir empfehlen, dass alle unsere Produkte durch Ihren Händler bestellt werden, der auch zukünftige Wartungen durchführen kann. Der Händler oder Vertriebspartner ist für das Garantieprogramm zuständig. Daher ist es wichtig, dass Sie seinen Namen, seine Adresse und Telefonnummer aufbewahren, damit Sie bei Problemen sofort Kontakt aufnehmen können.

Die Nichteinhaltung des Wartungsplans des Lifters kann Ihre Garantie u.U. außer Kraft setzen.

Wenn Sie nicht genau wissen, wo Ihr Lifter gekauft wurde, kann Joerns Healthcare den Lieferanten ermitteln, wenn Sie die Seriennummer des Lifters angeben.

DENKEN SIE DARAN: Bei Käufen, Garantiefragen, Reparaturen, Wartungen und zertifizierten Inspektionen wenden Sie sich bitte an den Vertriebspartner.

Ihr Vertriebspartner:



Detalles de contacto del fabricante

Oxford®

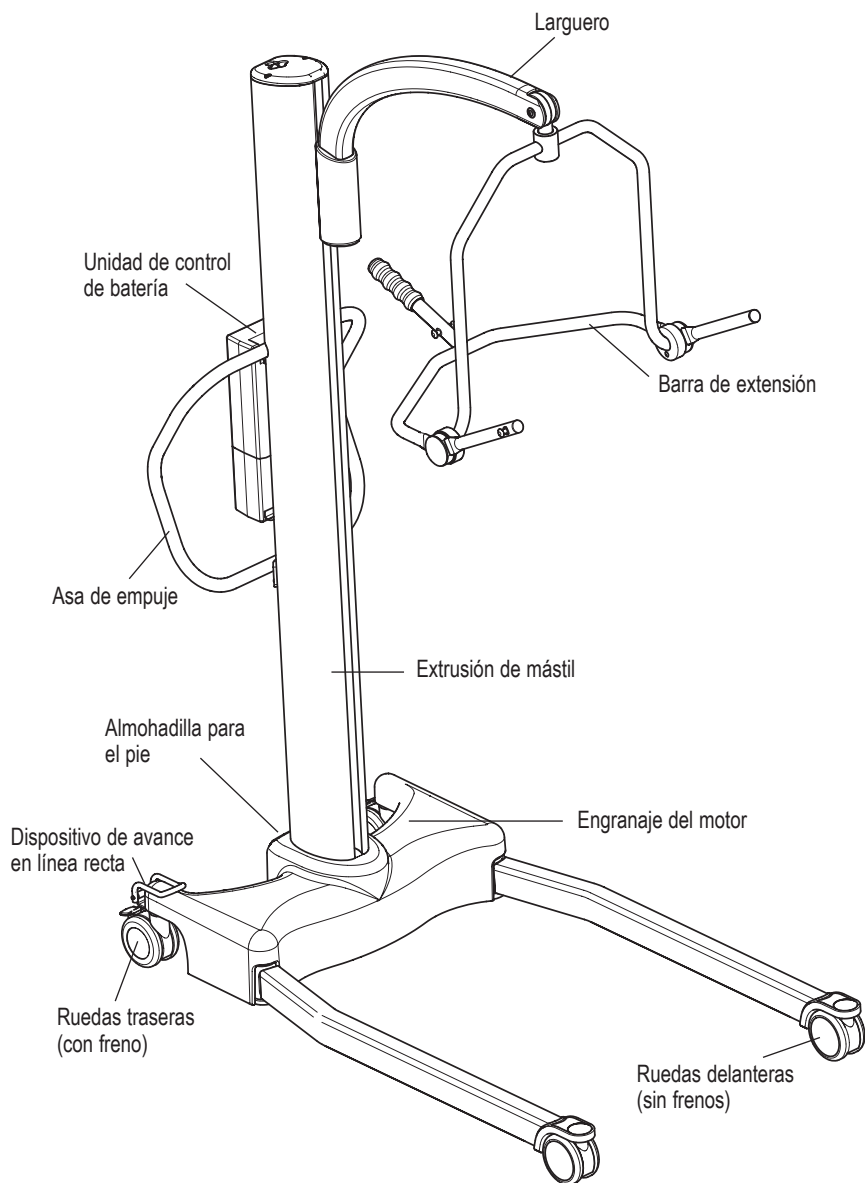
EUROPA

Joerns Healthcare Limited
Drakes Broughton Business Park, Worcester Road
Drakes Broughton, Pershore, Worcestershire
WR10 2AG United Kingdom
Tel: 0844 811 1156 • Fax: 0844 811 1157
info@joerns.co.uk • www.joerns.co.uk

Índice

1. El elevador de pacientes Oxford Stature.....	75
2. Introducción: Generalidades sobre el elevador.....	76
3. Instrucciones de montaje y encargo.....	77
4. Precauciones de seguridad.....	81
5. Instrucciones de funcionamiento.....	83
6. Remoción de los sistemas de espaciador de 6 puntos y bastidor de 4 puntos.....	87
7. Instrucciones para la carga.....	89
8. Plan de mantenimiento y lista de comprobación diaria.....	91
9. Especificaciones Técnicas.....	94
10. Garantía.....	96

1. El elevador de pacientes Oxford Stature



ANTES DE USAR EL ELEVADOR "STATURE" ASEGÚRESE DE LEER Y COMPRENDER LAS INSTRUCCIONES CONTENIDAS EN ESTE MANUAL

2. Introducción: Generalidades sobre el elevador

El Oxford Stature es un elevador para pacientes de accionamiento eléctrico. Cada elevador Stature está completamente montado, y ha sido verificado y certificado antes de ser embalado y enviado.

El embalaje consiste en una caja de cartón resistente, hecha a medida, que se utiliza tanto para los envíos nacionales como para las exportaciones para asegurar que el equipo llegue intacto a su destino. Con cada elevador se envía una bolsa con varios documentos; esta bolsa debe conservarse para consultas futuras.

- MANUAL DEL USUARIO
- TARJETA DE GARANTÍA DEL PROVEEDOR (Europa solamente)
- CERTIFICADO DE VERIFICACIÓN
- TARJETA DE SATISFACCIÓN DEL CLIENTE (Europa solamente)
- LISTA DE COMPROBACIÓN DE EMBALAJE

El CERTIFICADO DE PRUEBA es un documento importante y será necesario para sus registros de seguro. Tiene una validez de seis meses. Después de haber vencido este plazo deberá verificarse el elevador y realizarle el mantenimiento por un ingeniero cualificado autorizado según el programa de mantenimiento.

El mantenimiento y las verificaciones periódicas puede llevarlas a cabo su proveedor autorizado. Por favor, asegúrese de que el elevador está incluido en los planes de mantenimiento de su proveedor. Si no está seguro de cuáles son los requisitos de mantenimiento en su área geográfica, consulte con su proveedor y/o con una oficina de la administración local.

El Oxford Stature es adecuado para las siguientes CATEGORÍAS de elevador dentro de los parámetros de trabajo de los elevadores especificados en las ESPECIFICACIONES TÉCNICAS.

- Categoría A - Silla de ruedas
- Categoría B - Cama
- Categoría C - Baño (dependiendo de los ajustes)
- Categoría D - Silla para lavabo/ducha
- Categoría E - Suelo
- Categoría F - Rotación de 90 grados

El Oxford Stature es adecuado para pacientes en las siguientes posiciones: SENTADO, SENTADO/REPOSTADO y REPOSTADO. A continuación, presentamos una lista de eslingas compatibles con este dispositivo:

- Oxford Quickfit
- Oxford Access
- Oxford Full Back
- Oxford Comfort
- Oxford Quickfit Deluxe
- Oxford Silkfit
- Oxford Long Seat

La marca CE:



El Oxford Stature lleva la marca CE y cumple con las siguientes directivas de la CE:

- Directiva de Dispositivos Médicos (93/42/EEC)
- Directiva EMC (89/336/EEC)
- Directiva de bajo voltaje (73/23/EEC)

3. Instrucciones de montaje y encargo

Coloque la caja en una zona de trabajo despejada y ábrala con cuidado. La caja contiene:

- ELEVADOR Oxford STATURE
- BOLSA CONTENIENDO DOCUMENTOS
- CONTROL DE MANO
- UNIDAD DE BATERÍA
- CARGADOR/SOPORTE/DIODO DE SOBREMESA
- KIT DE SUJETADORES (INCLUYE TORNILLOS, LLAVE ALLEN, LLAVE TUBULAR HEXAGONAL, PLACA PROTECTORA)

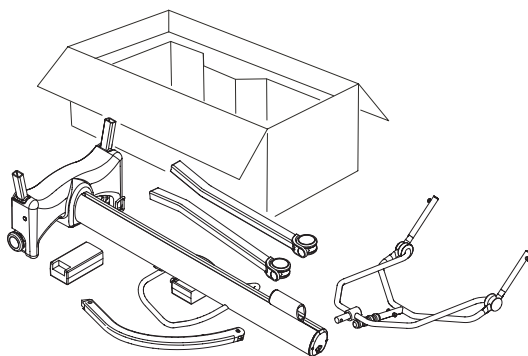
⚠ ADVERTENCIA

El Oxford Stature es pesado y habrá que tener cuidado al levantarlo. Puede que necesite ayuda para sacar el Oxford Stature de la caja.

MONTAJE

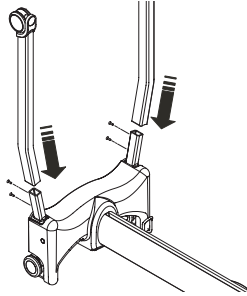
Retire todas las piezas de la caja y colóquelas en el suelo, con cuidado de evitar que el equipo sufra daños en su superficie.

1. Coloque el armazón y el mástil (los cuales están conectados) en un espacio vacío. El mástil y el armazón deben colocarse sobre el asidero de empuje, lo cual garantizará que el producto permanezca estable mientras se conectan las patas y el larguero en el producto.



2. Ajuste las patas al armazón usando dos tornillos de cabeza fresada de 6 mm por cada pata.

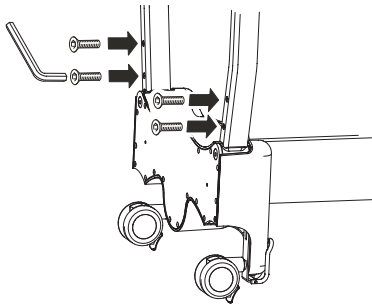
NOTA: Este aparato tiene una pata izquierda y una derecha, configuradas como se muestra abajo.



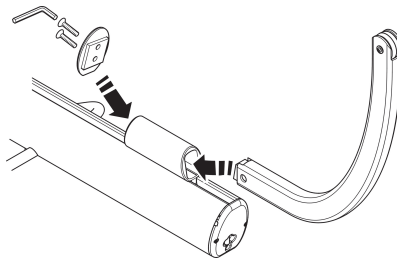
3. Con la llave Allen incluida, apriete los tornillos de 6 mm ubicados a cada lado del armazón.

⚠ ADVERTENCIA

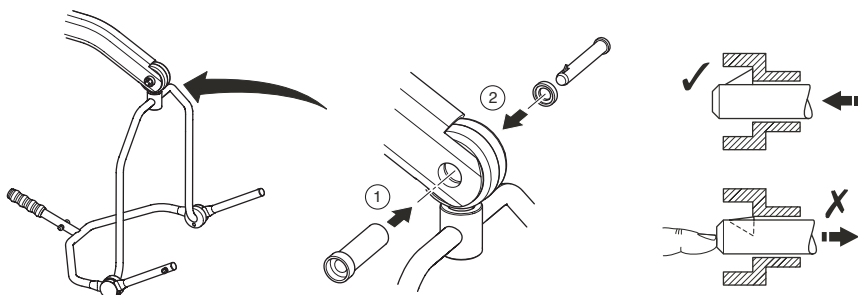
Los tornillos deben apretarse firmemente.



4. Inserte la sección curva del larguero en el chasis. Asegure el ensamblado al insertar los dos tornillos de cabeza fresada de 6 mm en la placa protectora azul incluida en el kit de sujetadores, como se muestra abajo, y apriete firmemente.



5. Instale el bastidor de posición de cuatro puntos en el larguero de elevación insertando la chaveta hendida. Asegúrese que la chaveta está bien fija.

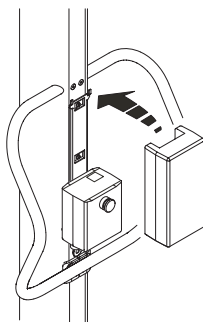
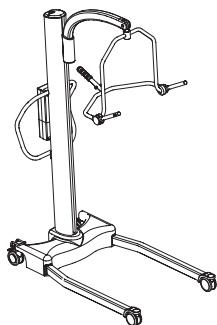


6. Coloque el elevador Stature en posición vertical y active los frenos.

⚠ ADVERTENCIA

Tenga extremo cuidado cuando levante el elevador Stature a su posición vertical, es muy pesado.

Ajuste el enchufe del control manual en la parte inferior de la caja de control, ubicada en el mástil y asegúrese que esté bien alineado con el receptáculo del enchufe. Ajuste la fuente de energía del elevador y asegúrese que el seguro que sostiene la fuente de energía esté totalmente adentro hasta que caiga en su sitio.

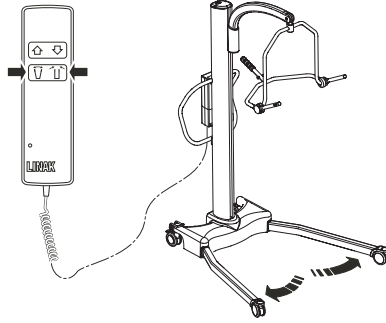


DESMONTAJE

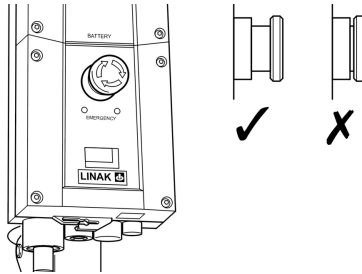
El elevador no debe ser desmontado a menos que sea necesario darle servicio, repararlo o transportarlo. Si es necesario desmontarlo, siga las instrucciones de ensamblado, pero en secuencia inversa.

ANTES DE HACERLO FUNCIONAR, VERIFIQUE LO SIGUIENTE

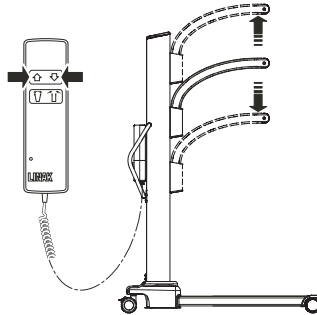
- Oprima los botones para abrir y cerrar del control manual para confirmar que las patas del elevador se abren y cierran de manera satisfactoria.



- El botón rojo de paro de emergencia, ubicado en la parte posterior de la caja de control, está en la posición de apagado (OFF).



- Oprima los botones de flechas hacia arriba y hacia abajo del control manual para confirmar que el larguero se eleva y baja de manera satisfactoria.



4. Precauciones de seguridad

Por favor, lea y siga las precauciones de seguridad que figuran más abajo. Siguiendo estas precauciones básicas de seguridad, las operaciones de elevación serán fáciles y no causarán problemas.

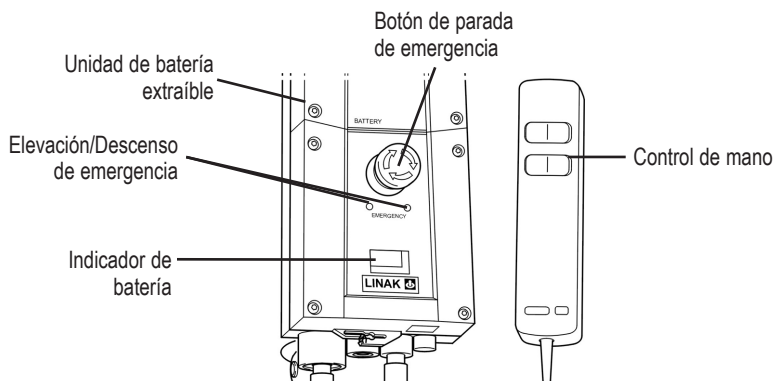
ADVERTENCIA

- Compruebe SIEMPRE que la carga de trabajo de seguridad del elevador es adecuada para el peso del paciente.
- NO exceda la carga de funcionamiento segura de la grúa, ya que se activará un dispositivo limitador de la corriente eléctrica para evitar el uso de la grúa.
- Planifique SIEMPRE sus operaciones de elevación antes de comenzar.
- Lleve SIEMPRE a cabo la LISTA DE COMPROBACIÓN DIARIA antes de utilizar el elevador.
- Familiarícese SIEMPRE con el control de funcionamiento y características de seguridad de un elevador antes de levantar a un paciente.
- NO utilice una eslinga a no ser que esté recomendada para su uso con el elevador.
- Verifique SIEMPRE que la eslinga es adecuada para el paciente en particular y que su tamaño y capacidad son correctos.
- NUNCA utilice una eslinga que esté deshilachada o dañada.
- Encaje SIEMPRE la eslinga de acuerdo con las instrucciones que se indican (instrucciones del usuario)
- Asegúrese SIEMPRE que las correas de eslinga no queden atrapadas alrededor de las patas de la grúa.
- Lleve SIEMPRE a cabo las operaciones de elevación de acuerdo con las instrucciones en el manual del usuario.
- NUNCA desconecte o deje de realizar un control de seguridad o característica de seguridad porque parezca más fácil para el funcionamiento del elevador.
- NO levante a un paciente con los frenos de las ruedas activados. Deje siempre que el elevador encuentre el centro correcto de gravedad.
- NO intente maniobrar el elevador empujando el mástil, el larguero o al paciente.
- Maniobre SIEMPRE el elevador con el asidero de empuje, ubicado en el mástil. También se incluye una almohadilla para el pie en la base de la grúa.

- Haga SIEMPRE descender al paciente a la posición cómoda más baja posible antes de transferirlo.
- NO empuje un elevador cargado a velocidades que superen un ritmo de caminar lento (3 kilómetros/hora, 0,8 metros/segundo).
- NO empuje el elevador sobre terreno desnivelado o con baches. Especialmente, si está cargado.
- NO intente empujar o tirar de un elevador cargado sobre una obstrucción en el suelo
- NUNCA fuerce los controles de funcionamiento/seguridad. Todos los controles son fáciles de utilizar y no requieren el uso de fuerza excesiva.
- NO aparque un elevador cargado sobre NINGUNA superficie en cuesta.
- NO utilice elevadores eléctricos en una ducha.
- NO cargue un elevador eléctrico en un baño o en una ducha.
- NO levante a un paciente a no ser que esté entrenado y sea competente para hacerlo.
- SU elevador está destinado a levantar pacientes. NO lo utilice, ni permita que se utilice, para cualquier otro fin.
- NO lleve el elevador dando tumbos hacia abajo en escaleras, tanto si está cargado como si está descargado.
- NO intente pasar con un elevador cargado por una pendiente que supere 1:12 (aproximadamente 5 grados).
- NO intente pasar con el elevador por una pendiente sin que haya alguien para ayudarlo.
- NO lo utilice en un ambiente húmedo o corrosivo, como por ejemplo al lado de una piscina
- NO utilice una alfombra extremadamente gruesa cuando el elevador está totalmente cargado.
- NUNCA haga funcionar el elevador con piezas o sujetadores faltantes, sueltos o desgastados.

5. Instrucciones de funcionamiento

CONTROLES DE FUNCIONAMIENTO



1. Ajuste de las patas

Las patas del Oxford Stature son ajustables eléctricamente en cuanto a su anchura. Las patas pueden abrirse para permitir el acceso alrededor de sillas o de sillas de ruedas. Para transferir y para pasar por pasillos estrechos, las patas del elevador deben estar en posición cerrada.

Ajuste eléctrico de las patas - se consigue pulsando los botones apropiados en el control de mano. Las patas se bloquearán cuando se suelte el conmutador del control de mano.

2. Ruedas y frenos

El elevador tiene dos ruedas con frenos, que se pueden aplicar para dejarlo aparcado. Cuando se realice la elevación, las ruedas deben dejarse libres y los frenos sin aplicar. De esta forma, el elevador podrá mover el centro de gravedad conforme se realiza la elevación. Si se aplican los frenos, será el paciente el que se mueva hacia el centro de gravedad y esto puede ser desconcertante e incómodo. En la rueda posterior se encuentra un dispositivo de avance en línea recta; cuando se aplica este dispositivo a la rueda facilita el avance en línea recta.

3. Elevación y descenso del larguero

El movimiento del chasis del larguero se logra mediante un poderoso motor, el cual se controla mediante una sencilla unidad de control manual. El control manual tiene dos botones con flechas HACIA ARRIBA y HACIA ABAJO <symbols>. El motor se detiene automáticamente en el límite del trayecto en ambas direcciones. El control manual se enchufa en un receptáculo en la base de la caja de control. Nota de seguridad - El movimiento hacia abajo del larguero se detiene si el elevador percibe que el paciente ha encontrado un obstáculo.

4. Parada de emergencia

El botón de parada de emergencia rojo está situado en la parte delantera del cuadro de control y se activa pulsándolo. Al pulsarlo se interrumpe la alimentación eléctrica al elevador y sólo se puede desarmar girando el botón en sentido contrario a las agujas del reloj y soltándolo.

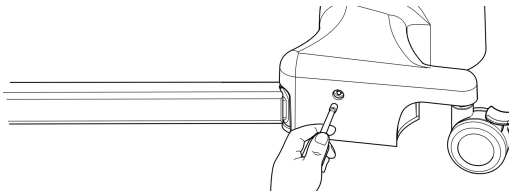
5. Descenso/elevación eléctricos de emergencia

Los botones de descenso (down) y elevación (up) de emergencia están situados en la parte delantera del cuadro de control. Se accionan insertando la punta de un bolígrafo en el botón marcado como ↑↓. Esto hará que el larguero suba o baje si falla el control de mano en cualquier momento.

6. Descenso mecánico de emergencia

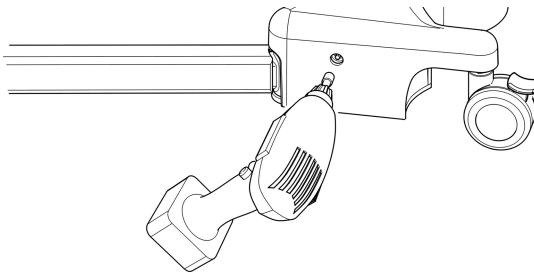
En caso de una falla eléctrica total, el elevador Stature cuenta con un dispositivo mecánico para bajarlo. Este dispositivo está ubicado en el costado izquierdo del armazón del elevador.

El mecanismo para bajarlo se opera al insertar una llave tubular hexagonal de 6 mm en la apertura y en el mecanismo que gira en sentido horario para subir el elevador, y en sentido antihorario para bajar el elevador. Esto puede hacerse a mano con una llave tubular.



Recomendación!

Para elevar o bajar más rápido el larguero, se recomienda usar una llave tubular hexagonal de 6 mm junto con un adaptador impulsor de pulg. y un taladro eléctrico reversible. (Nota - no utilice el parámetro de martillo). Esto incrementará la velocidad a la cual puede elevarse y bajarse el paciente con seguridad. En la tapa superior ubicada en la parte superior del mástil se encuentra una llave tubular hexagonal de 6 mm.



NOTA: Antes de elevar o bajar al paciente, asegúrese de haber planificado cuidadosamente el sitio hacia donde desea llevarlo. Por ejemplo, de regreso hacia una silla o cama.

7. Baterías

Las baterías están protegidas ante descargas fuertes por una ALARMA DE VOLTAJE BAJO. Esta alarma emitirá un sonido cuando las baterías necesiten recargarse y se esté manejando el control de mano. No sonará si el control de mano no se está manejando. NO IGNORE ESTA ALARMA DE ADVERTENCIA. Complete la operación de elevación y ponga la batería a cargar (vea las instrucciones de carga).

8. Eslingas

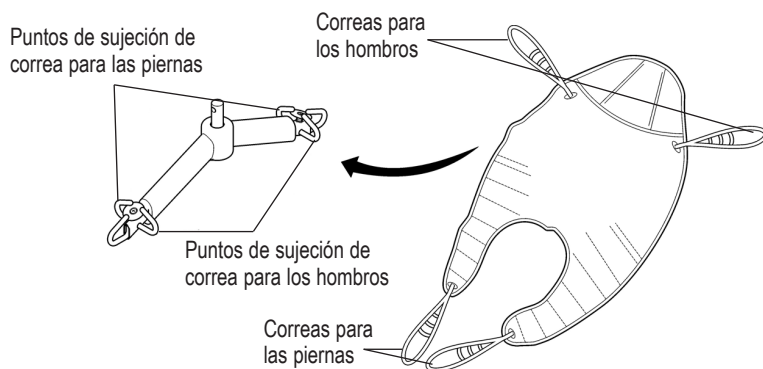
El Oxford Stature tiene la opción tanto de una barra de extensión de seis puntos como de percha de cuatro puntos. Ambos sistemas utilizan diferentes métodos de sujeción y eslingas.

El sistema de seis puntos utiliza eslingas con bucles de tejido, que permiten un ajuste de posicionamiento seleccionando diferentes bucles coloreados. El sistema de cuatro puntos utiliza el sistema de clip de seguridad Securi3 y el ajuste se realiza girando la percha de cuatro puntos cualquiera ascenso o descenso.

Eslingas de correa de bucle: Oxford Quickfit, Full Back, Quickfit Deluxe, Long Seat, Access y Silkfit.

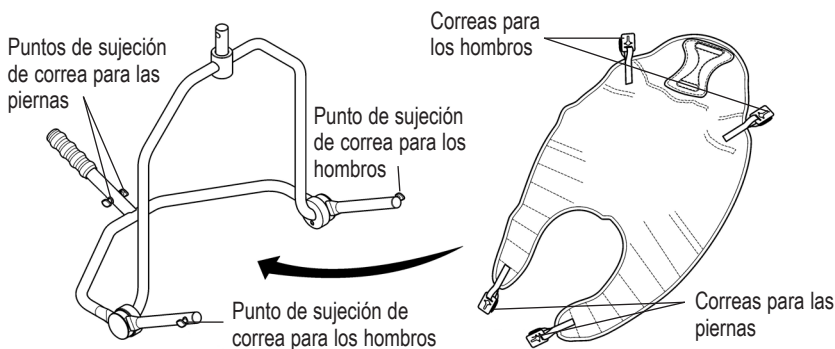
Eslingas de clip de seguridad: Oxford Comfort

El sistema de dos puntos se sujeta a los ganchos de la barra de extensión por medio de correas de bucle (como se muestran más abajo); cada eslinga viene con sus correspondientes instrucciones. Por favor, estudie la guía de instrucciones antes del uso.

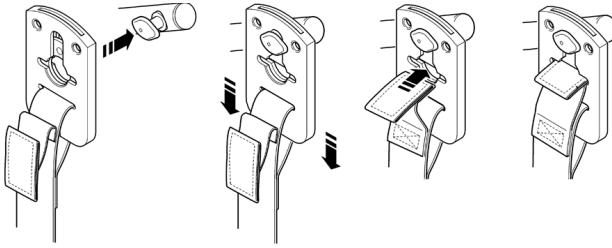


Barra de extensión de 6 puntos: Ejemplo de la barra de extensión de 6 puntos con sujeciones de bucle.

La eslinga del sistema de cuatro puntos va sujeta a los tachones de la percha por medio de un sistema de clip de seguridad (como se muestra más abajo); cada eslinga se suministra con instrucciones. Por favor, estudie la guía de instrucciones antes del uso.



Percha de 4 puntos. ejemplo de la eslinga de la percha de 4 puntos con sistema de clip de seguridad.



Sistema de fijación de eslinga Securi3

Ejemplo de instalación.

NOTA: Para obtener instrucciones de colocación más detalladas, consulte la guía del usuario proporcionada con cada eslinga.

⚠ ADVERTENCIA

Joerns Healthcare recomienda comprobar las eslingas regularmente y, en especial, antes del uso por si están deshilachadas o dañadas. NO utilice eslingas que estén desgastadas o dañadas.

⚠ ADVERTENCIA

OXFORD RECOMIENDA UTILIZAR PRODUCTOS AUTÉNTICOS OXFORD. Los sistemas Oxford de eslingas y elevación tienen un diseño que los hace compatibles entre sí. Para obtener información y consejos específicos acerca del uso y compatibilidad de las eslingas, consulte la etiqueta de la eslinga, o bien comuníquese con su distribuidor local de mercado o con Joerns Healthcare.

⚠ ADVERTENCIA

Consulte la capacidad de peso máximo del elevador. La capacidad de la eslinga está limitada por la capacidad máxima del elevador.

6. Remoción de sistemas de barra espaciadora/percha

SIGA ESTAS INSTRUCCIONES DE MANERA EXACTA

El ascensor actual tiene la opción de usar tanto la barra espaciadora de seis puntos ou la percha de cuatro puntos. La remoción de cualquiera de estos sistemas se realiza de manera fácil usando un pasador de liberación rápida. Esto puede realizarse rápida y fácilmente, sin embargo, debe leer las siguientes instrucciones de seguridad para garantizar que la barra espaciadora/percha está segura en su posición antes de usar.

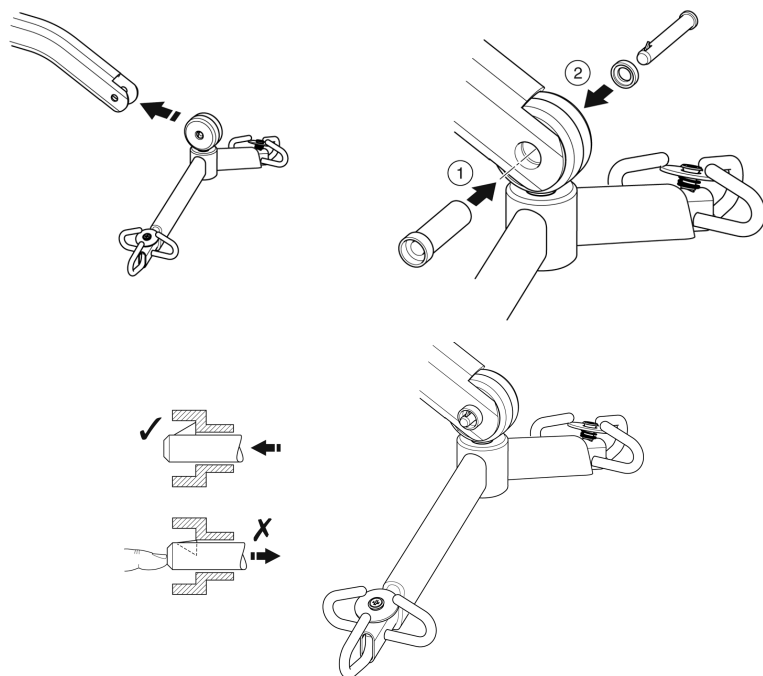
CONEXIÓN

Para conectar, eleve la barra espaciadora/percha hacia la ranura del larguero.

Inserte la manga de la clavija a través de la tapa de plástico y para sostener la barra espaciadora/percha.

Una vez alineado en la ranura del larguero, vuelva a insertar completamente el pasador de liberación rápida en la manga, hasta que caiga en su posición. **DEBE VERIFICAR QUE EL PASADOR ESTÉ AJUSTADO DE MANERA SEGURA**

Para hacerlo, oprima con el dedo dentro el extremo de la lengüeta. Si el pasador permanece estacionario, el elevador puede usarse con seguridad.

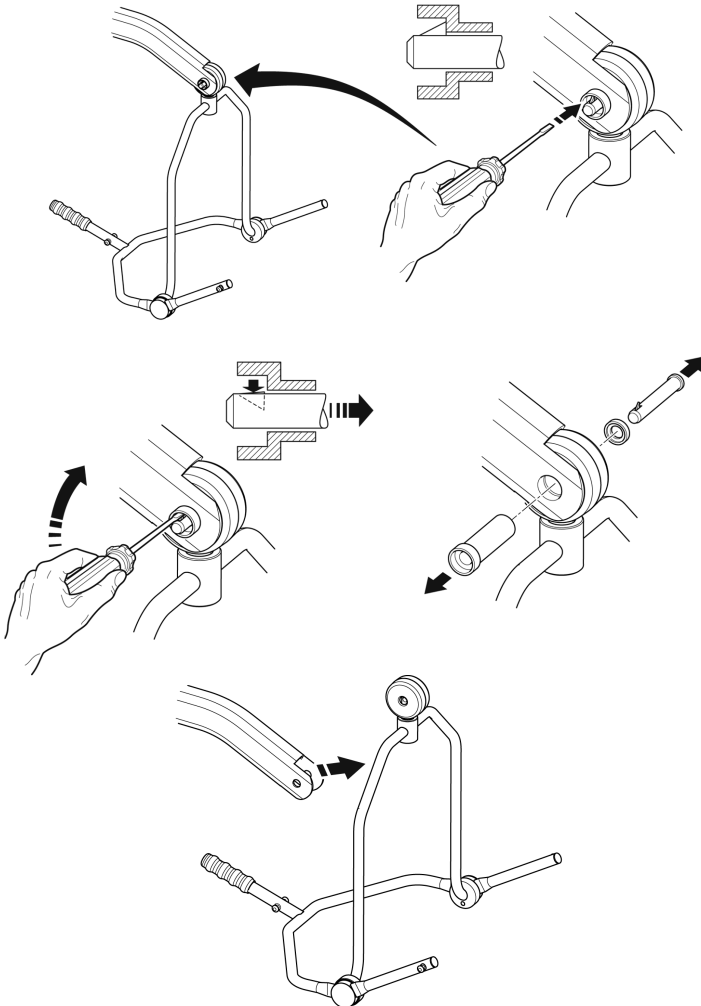


REMOCIÓN

PRECAUCIÓN: Asegúrese de sostener el peso de la barra de ensanchamiento/percha antes de retirar la chaveta.

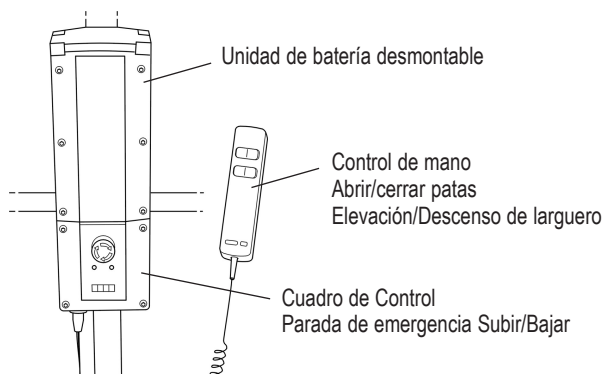
Para quitar el pasador, oprima la lengüeta del muelle (usando un destornillador eléctrico de hoja plana o semejante) y saque el pasador.

Sostenga la barra espaciadora/percha y luego tire de la manga del pasador en la dirección opuesta, sacándola completamente del larguero. Esto liberará la barra espaciadora/percha por completo.



7. Instrucciones para la carga

Las baterías están situadas en la unidad de alimentación y se cargan por medio de un cargador de sobremesa.



Cuando haya que cargar la unidad de alimentación, habrá que extraerla del elevador y colocarla en el cargador de sobremesa.

Joerns Healthcare Ltd recomienda utilizar una unidad adicional de batería, para tener una de las dos unidades cargada en todo momento.

1. Extraiga la unidad de alimentación del elevador. La unidad de está sujeta con un pestillo simple en la parte superior de la unidad de alimentación. Levante el pestillo y la unidad de alimentación quedará suelta.
2. Coloque la unidad de alimentación en el cargador. La colocación y sujeción de la unidad de alimentación al cargador se realiza por el mismo sistema que el empleado en el elevador.
3. Enchufe el cable del cargador a una fuente de alimentación eléctrica y ponga el conmutador en ON.
4. La carga es automática y las baterías quedarán completamente cargadas en un plazo de ocho a doce horas. **Nota:** Incluso si el cargador se deja enchufado durante mucho tiempo, no permitirá que las baterías se carguen en exceso.
 - a) La luz verde indica el paso de corriente eléctrica.
 - b) La luz amarilla indica que la batería se está cargando.
 - c) Cuando la luz amarilla se apaga, la batería se habrá cargado por completo.

Nota: La carga puede tomar hasta cuatro horas en completarse.
Recomendamos cargar la batería en cuanto la reciba.

5. Para volver a poner en funcionamiento el elevador, desconecte de la red poniendo el conmutador en OFF y retire la unidad de alimentación del cargador. Coloque la unidad de alimentación de nuevo en el elevador y asegúrese de que el pestillo que la sujeta está completamente cerrado. Cuando esté correctamente colocada, oirá un “clic”. La carga del elevador eléctrico Oxford es sencilla y no tienen por qué surgir complicaciones, pero es importante seguir rigurosamente las instrucciones de carga. Preste especial atención a los siguientes aspectos; le ayudará a evitar los problemas que supone la descarga de las baterías.

⚠ ADVERTENCIA

MANTENGA las baterías completamente cargadas. Ponga la batería a cargar cuando no esté en uso. Si le resulta más cómodo, póngala a cargar cada noche. El cargador no permitirá que las baterías se sobrecarguen.

⚠ ADVERTENCIA

NUNCA deje que las baterías se descarguen completamente. Si suena la alarma audible, complete la operación de elevación que esté llevando a cabo y ponga a cargar la batería.

⚠ ADVERTENCIA

NO guarde nunca la unidad de alimentación durante un largo período de tiempo sin cargarla regularmente.

⚠ ADVERTENCIA

Asegúrese SIEMPRE de que la alimentación eléctrica que va al cargador está apagada antes de conectar o desconectar la unidad de alimentación.

⚠ ADVERTENCIA

NUNCA deje la unidad de alimentación enchufada en el cargador con la corriente eléctrica de red apagada.

⚠ ADVERTENCIA

NO cargue un elevador eléctrico en un baño o en una ducha.

8. Plan de mantenimiento y lista de comprobación diaria

Todos los productos Oxford requieren un mantenimiento mínimo; sin embargo, es necesario llevar a cabo algunas comprobaciones y procedimientos de seguridad. A continuación se indica un plan de tareas DIARIAS. Realizar comprobaciones diarias y mantenimiento, inspección y prueba cada seis meses asegurará que el elevador se mantiene en condiciones óptimas de funcionamiento. Si lo pide, le enviaremos una lista de piezas de repuesto.

La PRUEBA DE CARGA y la certificación sólo deben llevarse a cabo por personal cualificado o por un agente / concesionario de servicio autorizado.

LISTA DE COMPROBACIÓN DIARIA: Joerns Healthcare recomienda encarecidamente realizar las siguientes comprobaciones de manera diaria y antes de utilizar el elevador.

- ASEGÚRESE de que el elevador se mueve libremente sobre sus ruedas.
- ASEGÚRESE de que la barra de extensión está libre para girar y moverse
- COMPRUEBE que la barra de extensión/percha está firmemente sujeta al larguero.
- EXAMINE los ganchos/clips de las eslingas en la barra de extensión/percha y los suspensores laterales por si tuvieran un excesivo desgaste.
- ASEGÚRESE de que las patas se abren y cierran correctamente.
- OPERE el control de mano para confirmar que el larguero sube y baja satisfactoriamente.
- EN elevadores movidos por energía eléctrica, verifique el funcionamiento del botón de parada de emergencia.
- EXAMINE las eslingas para ver si están deshilachadas o tienen otros daños. NO utilice una eslinga si está dañada.
- CONFIRME que el elevador no está emitiendo una alarma de batería baja cuando se maneja el control de mano. Si la alarma suena, **NO** utilice el elevador y póngalo a cargar inmediatamente.
- Verifique si hay desgaste y tensión de los sujetadores.

MANTENIMIENTO, INSPECCIÓN Y PRUEBA

Joerns Healthcare recomienda realizar inspecciones y comprobaciones completas y periódicas del elevador, los accesorios de elevación, las eslingas, balanzas, etc. La frecuencia de la verificación varía de acuerdo con la localidad; compruebe con su distribuidor local o entidad gubernamental, según corresponda, en lo referente a la frecuencia de verificación estipulada. Todas las verificaciones y pruebas deben llevarse a cabo según las recomendaciones y procedimientos explicados en el presente manual. Joerns Healthcare recomienda que el mantenimiento, inspección y comprobación certificada las lleve a cabo un agente o proveedor de mantenimiento autorizado.

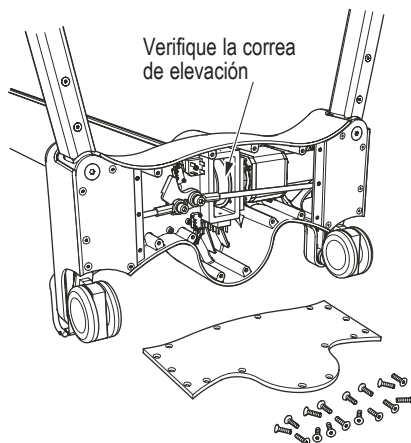
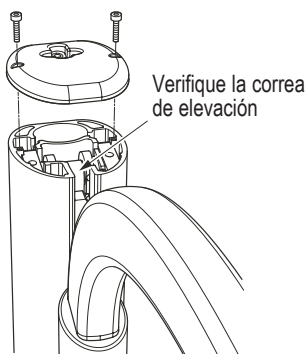
NOTA: Estas recomendaciones se dan en cumplimiento de los requisitos Salud y Seguridad N° 2307 de 1998: Normas relativas a Operaciones de Elevación y Equipo de Elevación de 1998. Esta norma es del Reino Unido. Fuera del Reino Unido, revise los requisitos aplicables a su país.

***ESTAS COMPROBACIONES DEBEN INCLUIR:**

	Inicialmente	Antes del uso	Intervalos de servicio
1. BARRA DE EXTENSIÓN/PERCHA: Compruebe la barra de extensión/ percha para verificar si tiene libertad de rotación y giro. Compruebe si hay desgaste en el pivote central. Compruebe que está sujeta firmemente al larguero.	✓	✓	
2. LARGUERO: Compruebe la sujeción del larguero al mástil. Asegúrese de que sólo exista un mínimo movimiento del larguero.	✓	✓	
3. MÁSTIL: Verifique si está conectado firmemente en el armazón.	✓	✓	
4. ENGRANAJE DEL MOTOR: El engranaje del motor no requiere más mantenimiento que comprobar que funciona correctamente y escuchar si hay ruidos inusuales.			✓
5. UNIDAD DE ALIMENTACIÓN: Verifique el funcionamiento del botón de parada de emergencia y del descenso de emergencia.	✓	✓	
6. BATERÍAS: Las baterías están alojadas en la unidad de alimentación eléctrica y no requieren ningún mantenimiento excepto su carga regular tal y como se detalla en las instrucciones de carga. Compruebe que las conexiones están limpias. Confirme que la abrazadera de la batería está segura y no presenta daños.			✓
7. AJUSTE DE LAS PATAS: Compruebe que las patas funcionan en toda su extensión (hacia dentro / hacia fuera)	✓	✓	
8. RUEDAS: Compruebe que todas las ruedas están firmemente sujetas a las patas. Verifique la libre rotación de las ruedas y de sus pivotes.	✓	✓	
9. LIMPIEZA: Limpie con un paño limpio con agua y jabón y/o cualquier desinfectante de superficies duras. Deben evitarse limpiadores químicos o abrasivos, ya que pueden dañar el acabado de la superficie del elevador. Evite elmojado excesivo, especialmente de las áreas eléctricas y la apertura de la base de la grúa. Recomendamos que humedezca el paño en la solución, exprima el exceso de líquido y limpie la superficie de la grúa.			✓
10. PRUEBA DE CARGA: La prueba de carga debe ser llevada a cabo de acuerdo con los procedimientos establecidos por el fabricante (vea el Manual de Servicio). Se recomienda encarecidamente que la comprobación sea realizada por un concesionario de servicio autorizado.			✓
11. BASE Y RUEDAS: Asegúrese de que la base está uniforme y nivelada. (las cuatro ruedas en contacto con el suelo).	✓	✓	
12. ESLINGAS: Vea si están desgastadas o deshilachadas.	✓	✓	✓

***ESTAS COMPROBACIONES DEBEN INCLUIR:**

	Inicialmente	Antes del uso	Intervalos de servicio
13. LUBRICACIÓN: Lubrique las juntas de los pivotes, incluyendo las conexiones del mástil y del larguero, el conjunto de pedal, la junta de la barra de extensión (hágalo sólo si es necesario).			✓
14. CONJUNTO DE MANO: Asegúrese de que está bien enchufado al controlador.	✓	✓	
15. CHAVETA DE DESENGANCHE RÁPIDO: Asegúrese de que la chaveta esté colocada correctamente antes de realizar la elevación presionando la punta dentada.	✓	✓	
16. SUJETADORES: Verifique la tensión de los sujetadores.	✓	✓	✓
17. CORREAS DE ELEVACIÓN: La correa de elevación debe revisarse en cada período de servicio en busca de señales de desgaste (idealmente cada seis meses). Para poder ver la correa se recomienda retirar la tapa de la parte superior del mástil y hacer funcionar el elevador en ambas direcciones para observar la condición de la correa. Si observa señales de desgaste (deshilachado, pliegues o algo similar) se recomienda que un distribuidor autorizado Joerns Healthcare o ingeniero de servicio cualificado y competente reemplace la correa INMEDIATAMENTE. Para conocer los detalles de mantenimiento y servicio de la correa, por favor, solicite nuestra guía detallada de servicio. (Vea los detalles más abajo.)		✓	✓



9. Especificaciones Técnicas

Carga de trabajo segura	500 lbs	227 kgs
Longitud total máxima	54.7 pulgadas	1390 mm
Longitud total mínima.....	50.8 pulgadas	1290 mm
Altura total máxima.....	83.8 pulgadas	2130 mm
Altura total mínima	76.6 pulgadas	1945 mm
Altura en alcance máximo.....	77.8 pulgadas	1975 mm
Alcance en altura máxima.....	24.6 pulgadas	625 mm
Alcance en altura mínima.....	24.6 pulgadas	625 mm
Alcance máximo	24.6 pulgadas	625 mm
Radio de giro	61.0 pulgadas	1550 mm
Patatas abiertas - Anchura externa.....	53.5 pulgadas	1360 mm
Patatas abiertas - Anchura interna.....	48.4 pulgadas	1230 mm
Patatas cerradas - Anchura externa	29.9 pulgadas	760 mm
Patatas cerradas - Anchura interna	25.1 pulgadas	640 mm
Altura total de las patas.....	4.3 pulgadas	110 mm
Distancia al suelo	1.2 pulgadas	30 mm
Par de ruedas delanteras.....	4 pulgadas	100 mm
Ruedas traseras con freno.....	4 pulgadas	100 mm

*Alcance = distancia entre el centro de la barra de extensión y la parte delantera del mástil

Bastidor de posición de 4 puntos

(medida hasta la parte superior de las clavijas de ubicación)

NOTA: El bastidor de posición de 4 puntos viene estándar con el elevador Stature.

Altura máx. del bastidor	63.3 pulgadas	1610 mm
Altura mín. del bastidor (útil).....	12.2 pulgadas	310 mm

Barra espaciadora de 6 puntos (medida hasta la parte superior de las clavijas de ubicación)

NOTA: El bastidor de posición de 6 puntos es opcional con el elevador Stature.

Altura máxima de la barra de extensión	77.7 pulgadas	1975 mm
Altura mínima de la barra de extensión	26.6 pulgadas	675 mm

Pesos

Mástil, base y conjunto de larguero	142 lbs	64.5 kgs
Bastidor de posición de 4 puntos.....	13.2 lbs	6 kgs
Unidad de alimentación.....	6.6 lbs	3 kgs
Total.....	162 lbs	73.5 kgs

Todas las medidas tienen un grado de tolerancia de +5/-5 grados.

ESPECIFICACIONES ELÉCTRICAS

BATERÍAS.....	12 voltios, tipo ácido de plomo selladas recargables
CAPACIDAD DE LA BATERÍA.....	3,2 amperios hora
ENTRADA NOMINAL DEL CARGADOR.....	230Vca 50/60 Hz
SALIDA NOMINAL DEL CARGADOR	27,4/29,0 VCC@0,8A

Protección Frente a Descargas Eléctricas

CARGADOR.....	CLASE II
ELEVADOR.....	FUENTE DE ALIMENTACIÓN INTERNA

GRADO DE PROTECCIÓN FRENTE A DESCARGAS

CARGADOR.....	TIPO B
ELEVADOR.....	TIPO B
ENTORNO DE FUNCIONAMIENTO:.....	>+5° <+40°.

En condiciones distintas a este entorno, la funcionalidad y la seguridad pueden verse comprometidas.

ENGRANAJE DEL MOTOR.....	Tipo planetario
CORREA	Tejido de nylon

10. Garantía

Joerns Healthcare ha establecido una red de distribuidores y proveedores de excelente reputación, que se ocuparán con mucho gusto de contestar todas sus preguntas respecto a compra, garantía, reparación y mantenimiento.

Nuestros productos están garantizados durante un plazo de 24 meses a partir de la fecha de fabricación o durante 24 meses a partir de la fecha de compra si han sido encargados por un distribuidor autorizado. Esta garantía cubre la estructura principal del elevador, así como el motor, cuadro de control, control de mano y batería contra defectos de fabricación / fallas.

Recomendamos que todos nuestros productos hayan sido encargados por su proveedor y que éste se ocupe de su mantenimiento. El proveedor o distribuidor es el encargado del programa de garantía, de manera que es importante mantener un registro de su nombre, dirección y número de teléfono para poder ponerse en contacto con él si surge algún problema.

El no cumplir con el horario de servicio del elevador puede ocasionar la anulación de su garantía.

Si tiene dudas respecto a dónde se ha comprado su elevador, Joerns Healthcare puede averiguar quién fue el distribuidor si usted nos facilita el número de serie del elevador.

RECUERDE: Póngase en contacto con el distribuidor para compras, garantía, reparaciones, servicio técnico y mantenimiento certificado.

Su distribuidor:





Joerns Healthcare Limited
Drakes Broughton Business Park
Worcester Road, Drakes Broughton
Persnore, Worcestershire
WR10 2AG United Kingdom
Tel: 0844 811 1156
Fax: 0844 811 1157
info@joerns.co.uk
www.joerns.co.uk