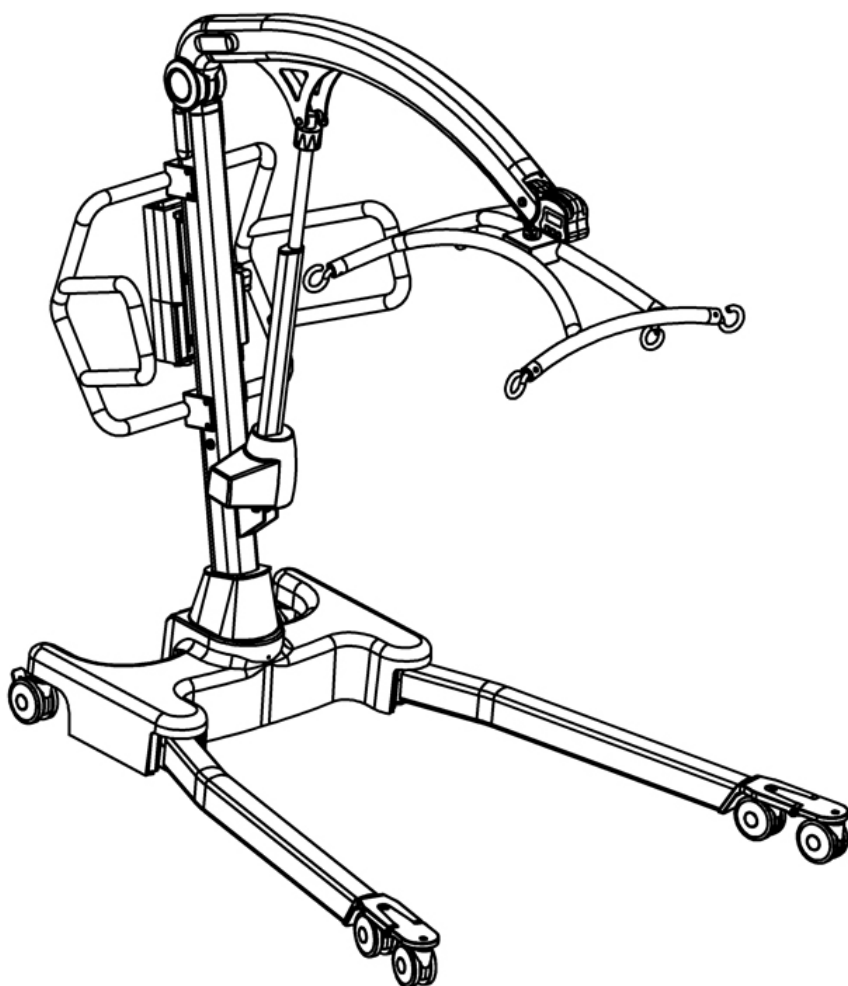


# Oxford<sup>®</sup>/Hoyer<sup>®</sup>

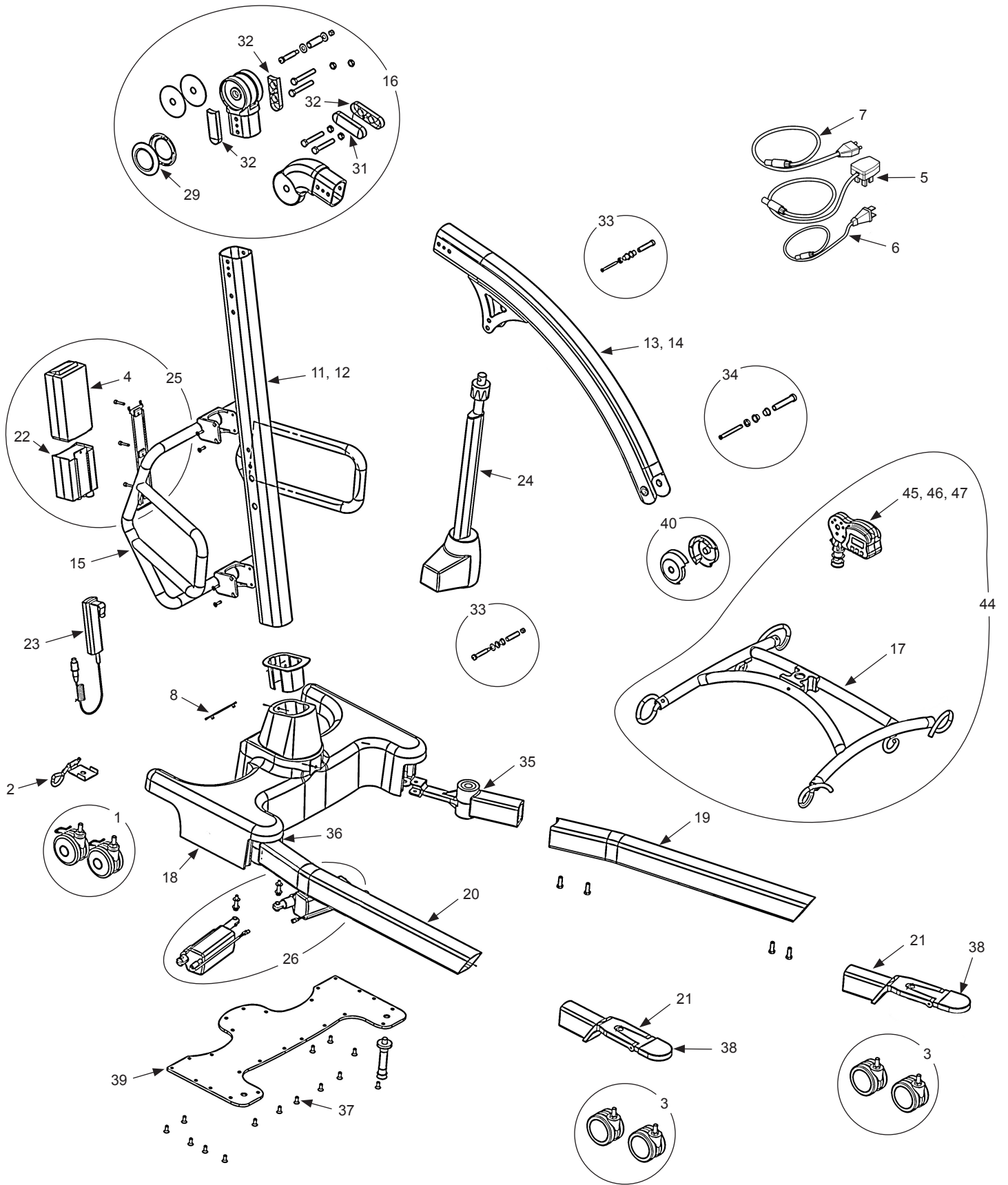
Oxford<sup>®</sup>/Hoyer<sup>®</sup> Calibre  
Parts Manual



 Joerns  
Healthcare

Redefining patient handling

NO.	PART NUMBER	DESCRIPTION	QTY	SERIAL NO.
1	0Y0066	100mm rear castor (braked)	2	
2	0Y0917	Straight line steering device	1	
3	0Y0073	100mm front castor (including wrench)	2	
4	0Y0067	Linak battery	1	
5	0Y0071	Linak charge lead - UK	1	
6	0Y0114	Linak charge lead - US	1	
7	0Y0072	Linak charge lead - EU	1	
8	0Y0078	Foot pad assembly	2	
9	0Y0128	Castor tightening wrench (not shown)	1	
10	0Y0053	Linak charger & stand (not shown)	1	
11	0Y0861	Mast extrusion (including decals) - Oxford	1	
12	0Y0862	Mast extrusion (including decals) - Hoyer	1	
13	0Y0863	Boom extrusion (including decals) - Oxford	1	
14	0Y0864	Boom extrusion (including decals) - Hoyer	1	
15	0Y0865	Push handle (including fixings)	1	
16	0Y0866	Cast boom to mast pivot joint (including fixings)	1	
17	0Y0867	Cradle assembly (no scale) (including decals)	1	
18	0Y0868	Base assembly (including base casting, base plate & fixings)	1	
19	0Y0869	Left leg extrusion (including fixings)	1	
20	0Y0870	Right leg extrusion (including fixings)	1	
21	0Y0871	Front castor bracket assembly (including castors & fixings)	1	
22	0Y0873	Linak controller	1	
23	0Y0075	Linak hand control - 4 way	1	
24	0Y0875	Linak actuator (including power lead - not shown)	1	
25	0Y0876	Linak controller & battery (including mounting bracket & fixings)	1	
26	0Y0877	Linak leg actuator (including fixings)	2	
27	0Y0878	Decal set - Oxford (not shown)	1	
28	0Y0879	Decal set - Hoyer (not shown)	1	
29	0Y0880	Pivot joint caps	2	
30	0Y0881	Fixings kit - complete (not shown)	1	
31	0Y0882	Boom to mast pivot - plastic covers	2	
32	0Y0883	Mast to mast pivot - plastic covers	2	
33	0Y0884	Actuator fixings kit (upper & lower)	1	
34	0Y0885	Boom to scale quick-release pin kit	1	
35	0Y0886	Leg pivot assembly - left hand	1	
36	0Y0887	Leg pivot assembly - right hand	1	
37	0Y0888	Base fixings kit	1	
38	0Y0889	Front castor bracket end caps	2	
39	0Y0890	Base plate	1	
40	0Y0891	Boom end plastic caps - black	2	
41	0Y0892	Cradle wear washer kit (not shown)	1	
42	0Y0893	Linak actuator power lead (not shown)	1	
43	0Y0894	Leg actuator limit switch (not shown)	2	
44	0Y0895	Cradle & Scale Assembly (Hoyer only)	1	
45	OXF-SCALE-LP	Oxford scale - UK	1	
46	HOY-SCALE-LP	Hoyer scale - US	1	
47	OXF-SCALE-LP-EU	Oxford scale - EU	1	





---

**Joerns Healthcare Ltd**  
Drakes Broughton Business Park, Worcester Road  
Drakes Broughton, Pershore, Worcestershire  
WR10 2AG, United Kingdom  
Tel: +44 (0)844 811 1156  
Fax: +44 (0)844 811 1157  
[info@joerns.co.uk](mailto:info@joerns.co.uk)  
[www.joerns.co.uk](http://www.joerns.co.uk)

**Joerns Healthcare Inc.**  
2100 Design Road  
Suite 100, Arlington  
TX 76014  
USA  
Tel: 800-826-0270  
Fax: 800-457-8827  
[www.joerns.com](http://www.joerns.com)