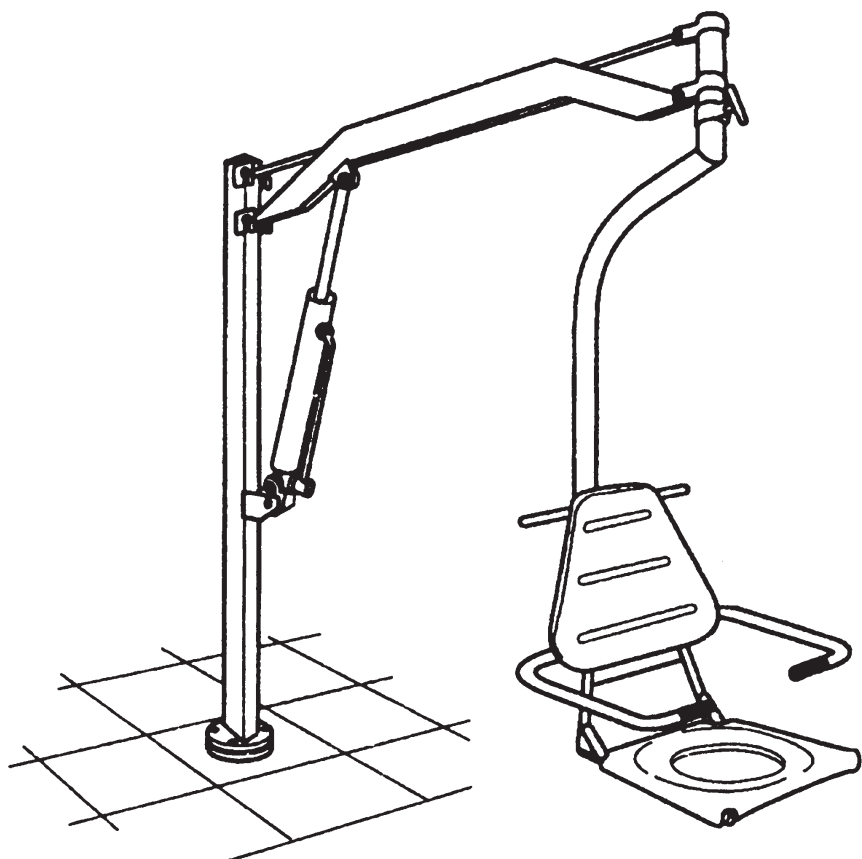
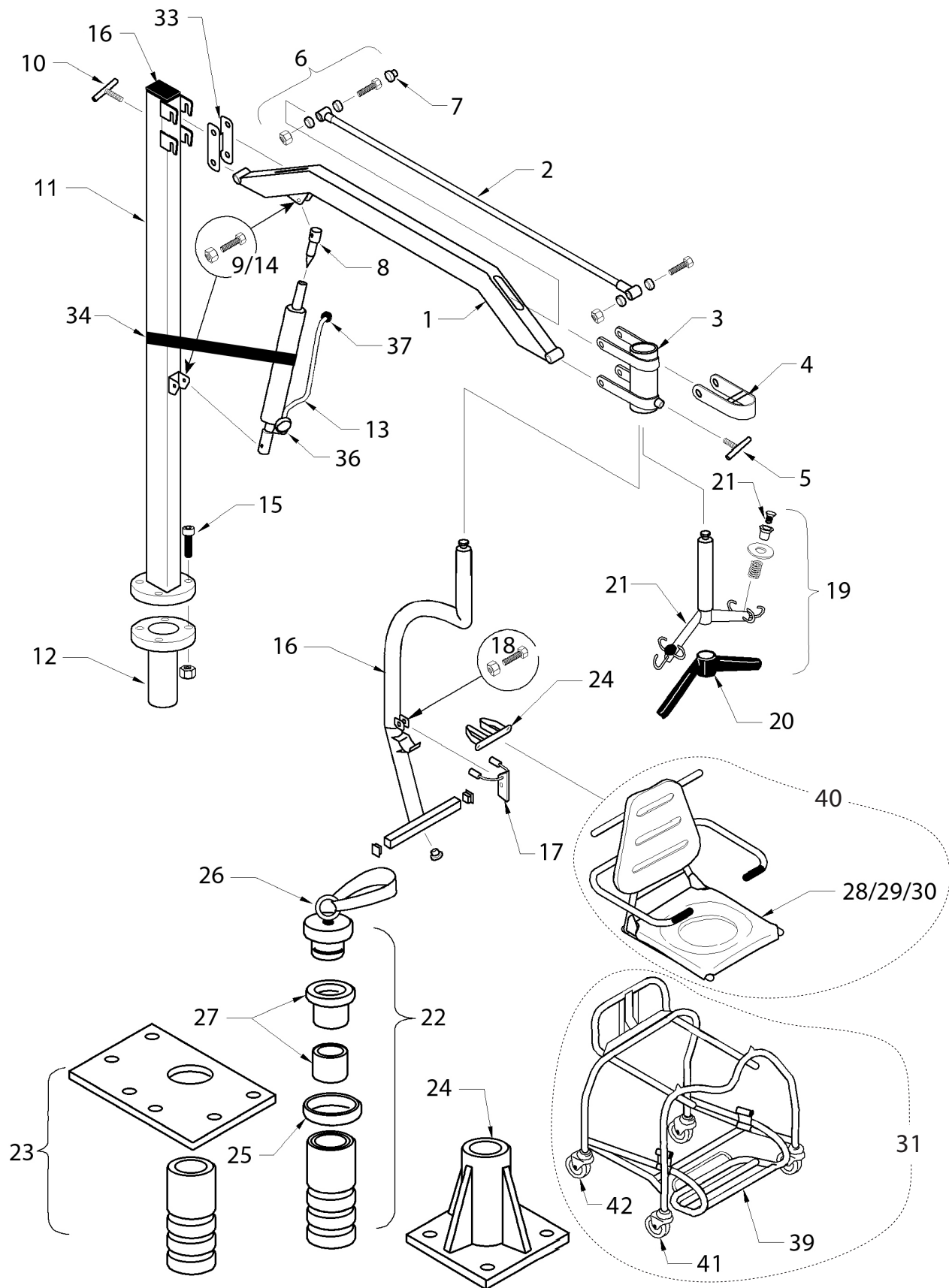


Oxford[®]

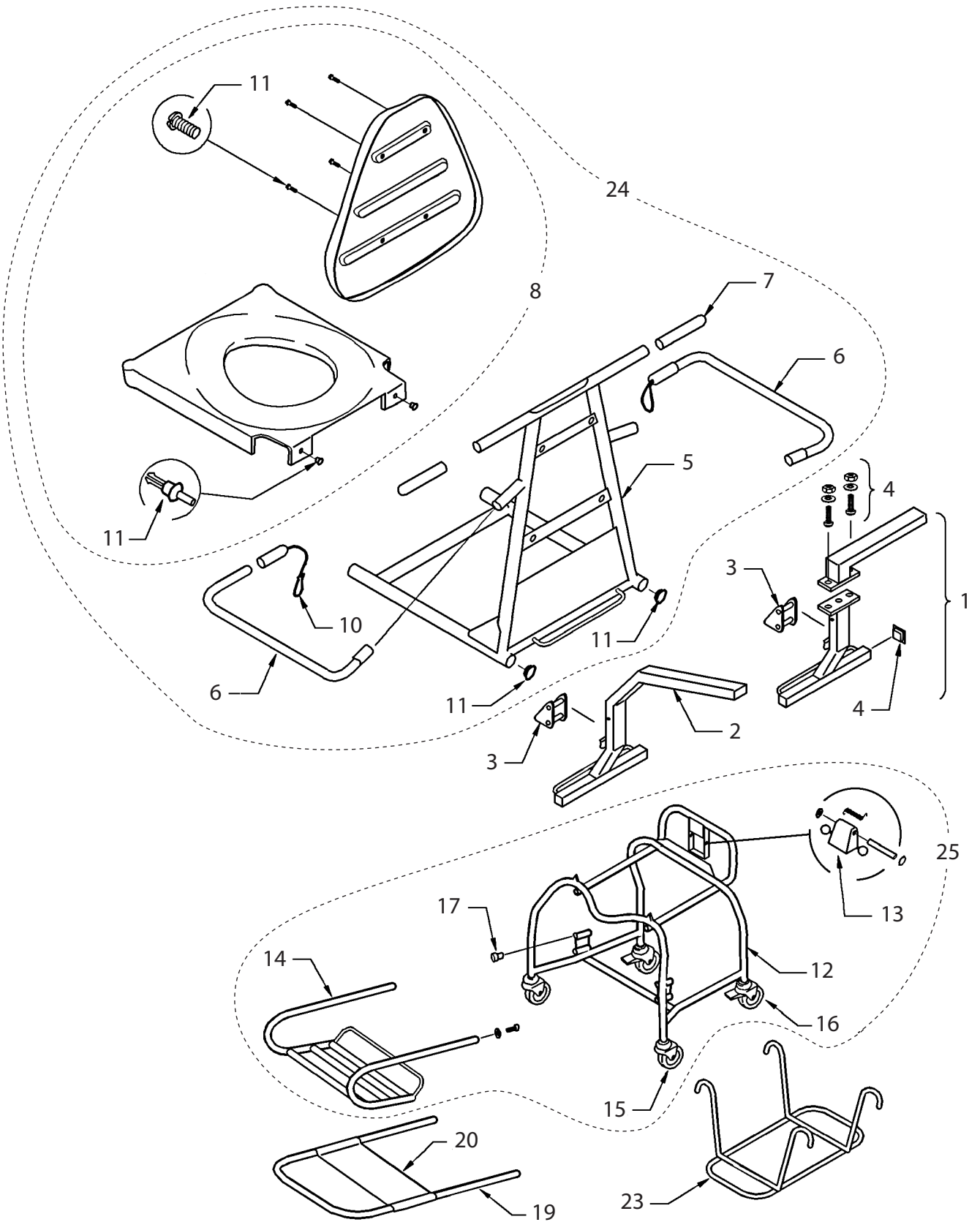
Oxford[®] Dipper 140 Parts Manual



NO.	PART NUMBER	DESCRIPTION	QTY	SERIAL NO.
1	DT/1120	Boom only	1	
2	DT/1132	Link rod	1	
3	DT/1173	Chair support socket	1	
4	DT/1176	Safety latch - chair support	1	
5	808003.10108	'T' bar screw (small)	Kit	
6	808003.10109	Boom fixings and fittings	Kit	
7	000322.41030	10mm white plastic caps	20	
8	DT/1229	Ram extension	1	
9	808003.10110	Ram/boom fixing	Kit	
10	808003.10111	'T' bar screw (large)	Kit	
11	808003.10112	Mast only	Kit	
12	808003.10113	Mast pivot pin	Kit	
13	HY/3572	Dipper hydraulic unit	1	
14	808003.10115	Ram/mast fixing	Kit	
15	808003.10116	Mast fixings and fittings	Kit	
16	808388.10002	Chair support tube complete	Kit	
17	808003.10117	Safety latch (seat)	Kit	
18	808003.10118	Chair support tube fixings and fittings	Kit	
19	OP10018	Dipper spreader bar complete assembly	1	
20	EM/2993	Spreader bar cover (black)	1	
21	808003.10013	Sling retainer assembly	Kit	
22	OP10015	'A' socket complete	1	
23	OP10016	'B' socket complete	1	
24	OP10017	'C' socket complete	1	
25	DT/2434	Socket surround	1	
26	808003.10119	Socket blanking plug	Kit	
27	808003.10120	Socket bearing set	Kit	
28	808003.10074	Ranger commode seat (seat, backrest and fixings)	1	
29	OP10011	Ranger shower seat only	1	
30	808003.10087	Ranger padded commode seat (seat, backrest and fixings)	1	
31	83035	Ranger transporter	1	
32	750210J2	Lap strap (not shown)	1	
33	DT/1270	Boom carrier	1	
34	362-00030	Dipper hydraulic strap	1	
35	15026	Pump handle	1	
36	322-42040	Hand wheel	1	
37	322-14010	Red knob	1	
38	211-16915	'C' socket bolts (not shown)	1	
39	83036	Ranger footrest	1	
40	83013	Ranger seat complete	1	
41	311-42110	100mm front castor	1	
42	311-41110	100mm rear castor (braked)	1	



NO.	PART NUMBER	DESCRIPTION	QTY	SERIAL NO.
1	808003.10079	Ranger seat support arm - side fit (Mermaid only)	Kit	
2	808003.10080	Ranger seat support arm - end fit (Mermaid only)	Kit	
3	808003.10155	Arm safety latch complete	Kit	
4	808003.10156	Ranger arms fixings & fittings kit (pack of 10)	Kit	
5	808003.10081	Ranger chair frame only	Kit	
6	808003.10082	Armrests complete	Kit	
7	323-11010	White hand grip	1	
8	808003.10074	Seat, backrest & fixings	1	
9	0P10011	Seat moulding - plain (shower seat) (not shown)	1	
10	808003.10157	Securing hook complete	Kit	
11	808003.10087	Ranger seat fixings & trims	Kit	
12	DT/0201	Transporter frame only	1	
13	808003.10083	Transporter safety latch	Kit	
14	808003.10084	Foot rest assembly	Kit	
15	311-42110	Castor 100mm plain (Tente)	2	
16	311-41110	Castor 100mm braked (Tente)	2	
17	DT/2183	Foot rest bush	8	
18	808003.10158	Transporter fixing & fittings kit (not shown)	Kit	
19	808003.10085	MD leg support	Kit	
20	0P10009	Leg support fabric	2	
21	808003.10086	MD padded seat complete (not shown)	Kit	
22	83042	Bed pan (not shown)	1	
23	0P10010	Bed pan cradle	1	
24	83013	Ranger seat complete	Kit	
25	83035	Ranger Transporter complete	Kit	





Joerns Healthcare Ltd

Drakes Broughton Business Park, Worcester Road

Drakes Broughton, Pershore, Worcestershire

WR10 2AG, United Kingdom

Tel: +44 (0)844 811 1156

Fax: +44 (0)844 811 1157

info@joerns.co.uk

www.joerns.co.uk