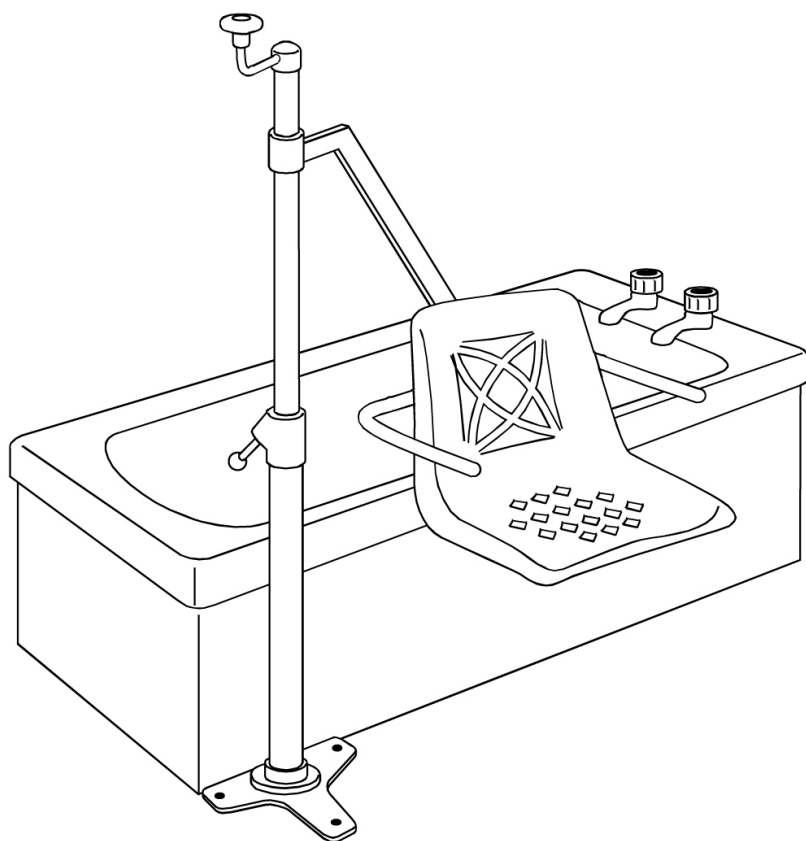
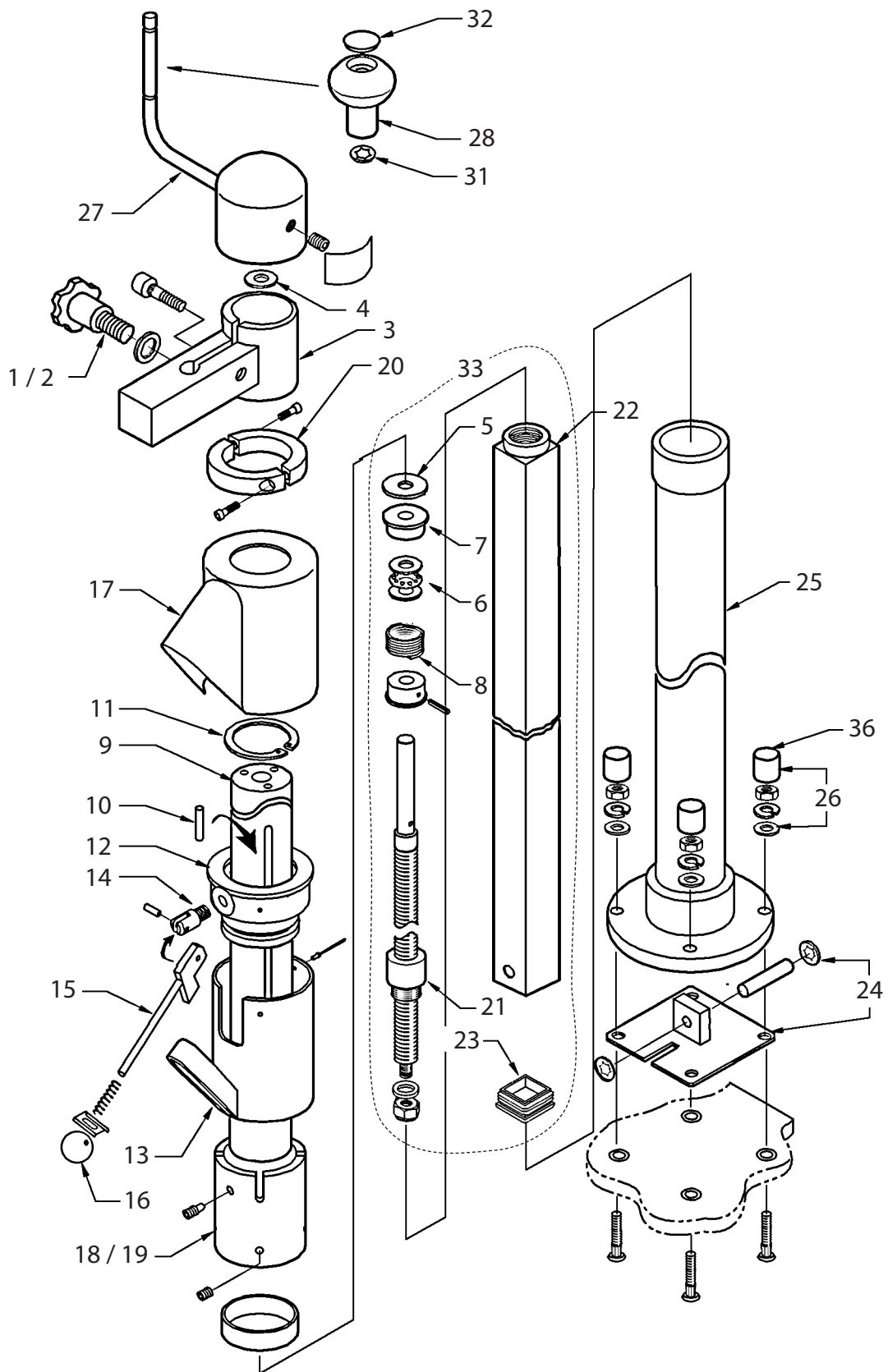


Oxford[®]

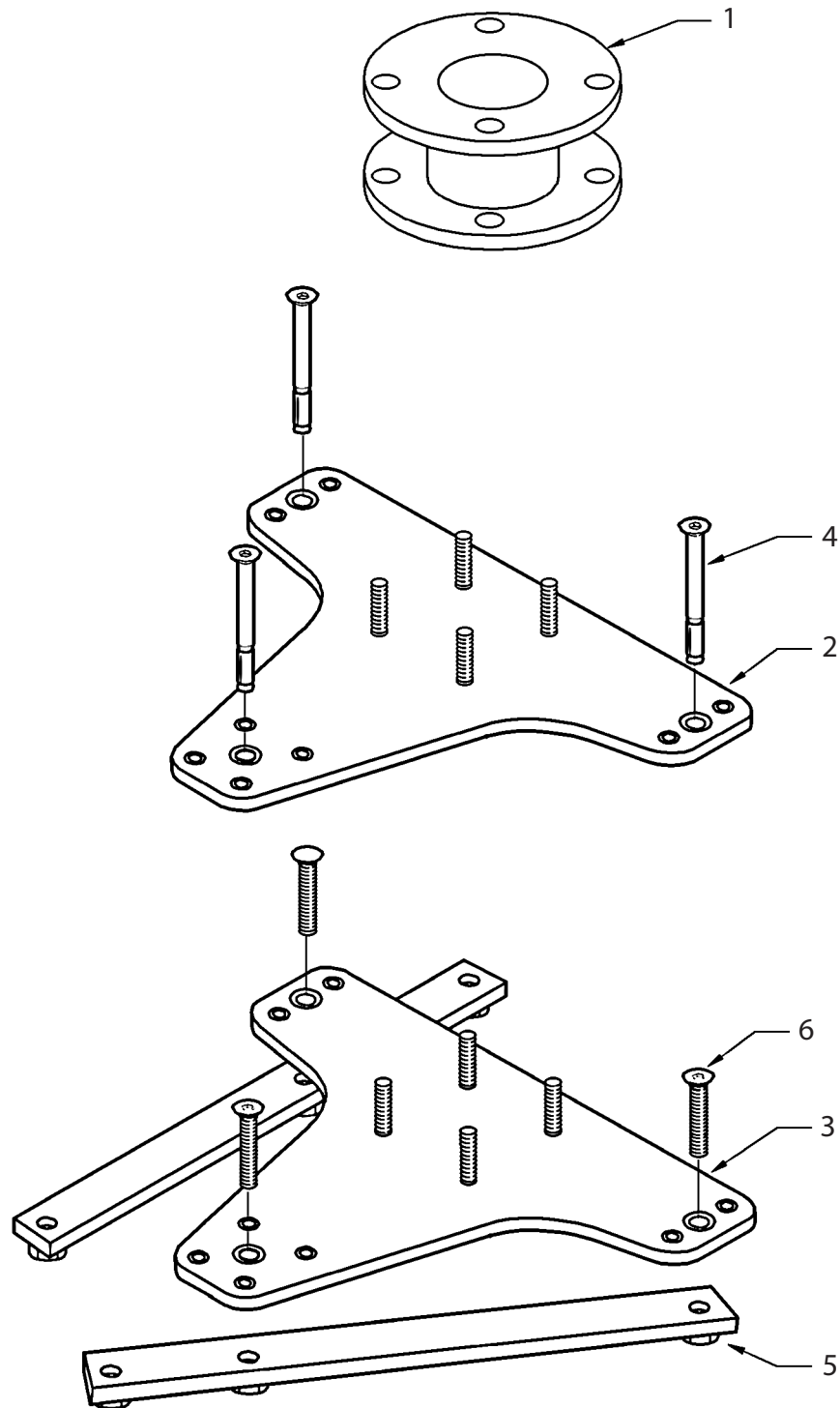
Oxford[®] Mermaid Parts Manual



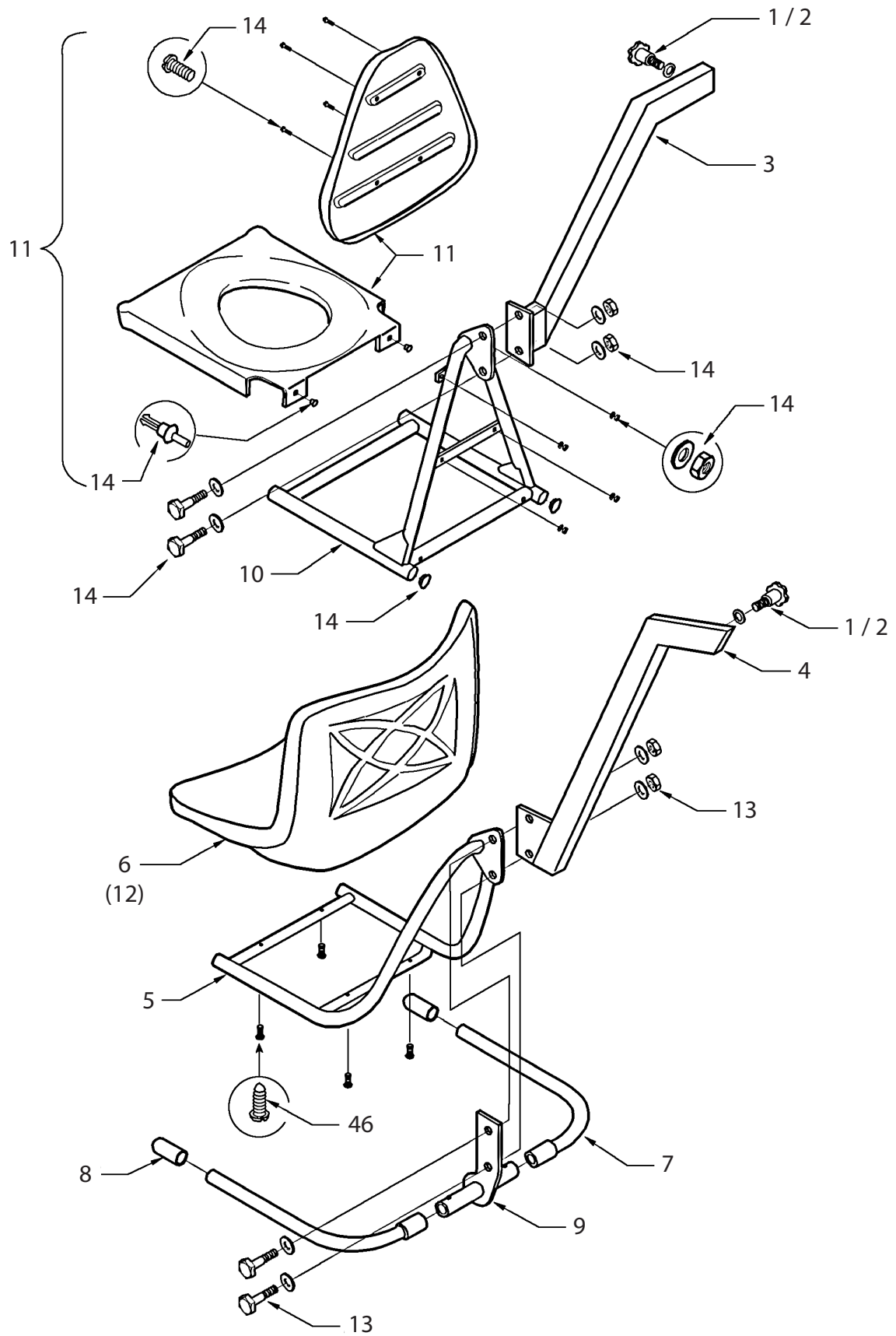
NO.	PART NUMBER	DESCRIPTION	QTY	SERIAL NO.
1	80008	Seat arm security screw (5/16 UNF)	1	
2	324-02010	Seat arm security screw (M8)	1	
3	808003.10052	Seat support clamp	Kit	
4	381-40020	Thrust washer - PTFE	1	
5	381-30040	Thrust washer - BRONZE	1	
6	381-10030	Thrust bearing	1	
7	MX/0176	Thrust collar	1	
8	MX/0177	Clutch drive spring	1	
9	808003.10053	Sliding tube assembly	Kit	
10	80066	Sliding tube key (set of 3)	3	
11	219-19015	Circlip	1	
12	808003.10054	Column hub assembly	Kit	
13	MX/0333	Latch tube	1	
14	808003.10055	Latch clevis	Kit	
15	808003.10056	Locking handle complete	Kit	
16	322-11010	White knob	10	
17	80067	Latch cover	1	
18	808003.10057	Column collar (4 position)	Kit	
19	808003.10058	Column collar (8 position)	Kit	
20	808003.10059	Stop collar	Kit	
21	808003.10060	Leadscrew and nut assembly	Kit	
22	80046	Square leadscrew tube	1	
23	322-22020	Grease bung	1	
24	808003.10061	Retaining plate assembly	Kit	
25	80065	Column only	1	
26	808003.10063	Column/baseplate fixings	Kit	
27	808003.10076	Attendant winding handle complete	Kit	
28	291001.10351	Plastic winding handle	1	
29	808003.10077	Mermaid seat fixings & trims (not shown)	Kit	
30	808003.10078	Commode seat fixings & trims (not shown)	Kit	
31	218-33004	Starlock washer	1	
32	80082	Starlock capped	1	
33	648001.10351	Sub assembly square tube	1	
34	0P10002	Electric column assembly complete (not shown)	1	
35	0P10000	Manual column assembly complete (not shown)	1	
36	322-41005	White cap	1	



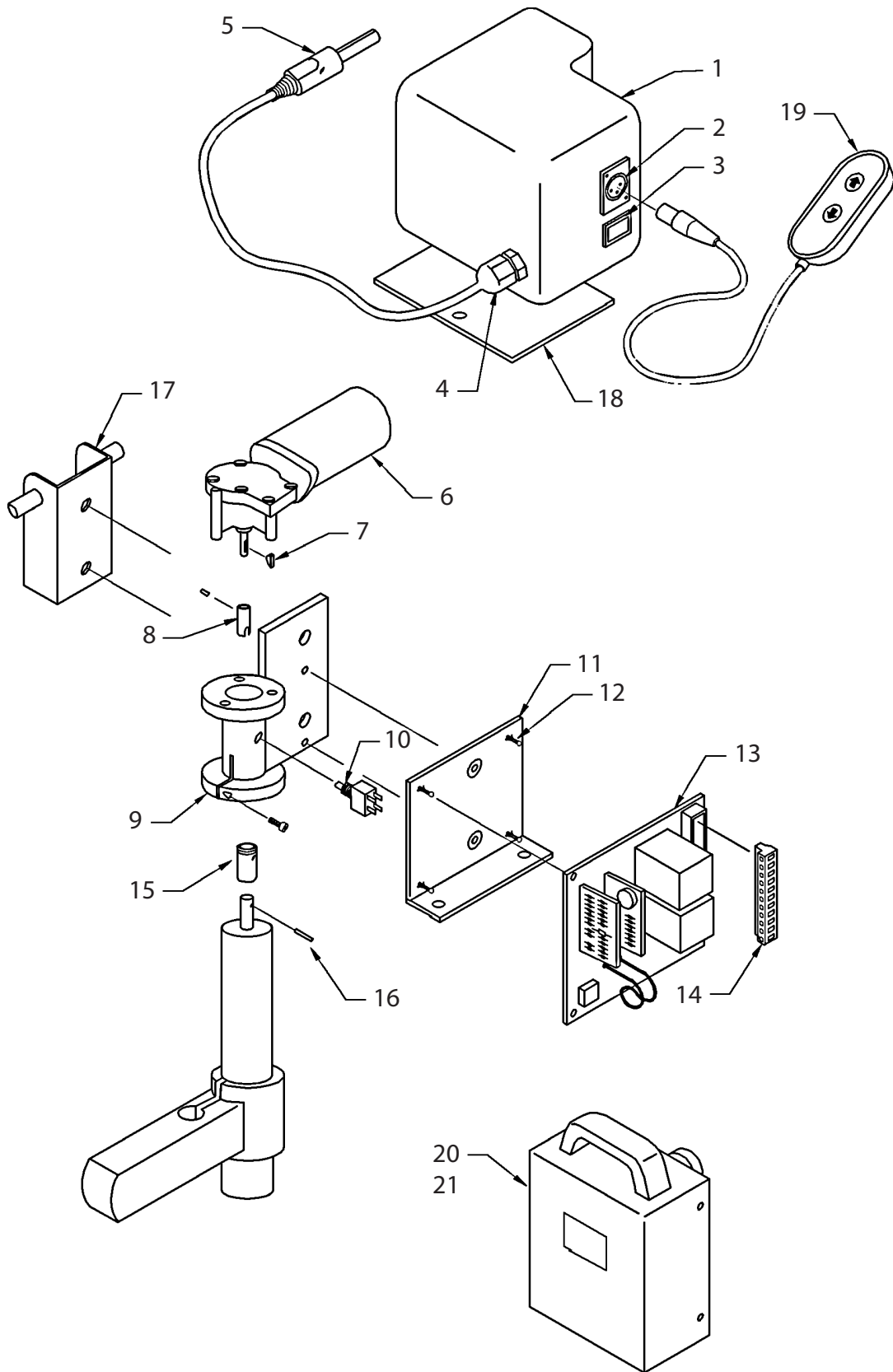
NO.	PART NUMBER	DESCRIPTION	QTY	SERIAL NO.
1	808003.10062	75mm column extension (complete with fixings)	Kit	
2	808003.10064	Universal baseplate for concrete floor	Kit	
3	808003.10065	Universal baseplate for wood floor	Kit	
4	211-16915	Concrete floor bolt (LIEBIG SK15/70)	1	
5	808003.10066	Wood floor fixing straps (M12 X 70)	Kit	
6	808003.10066	Wood floor fixing screw	1	



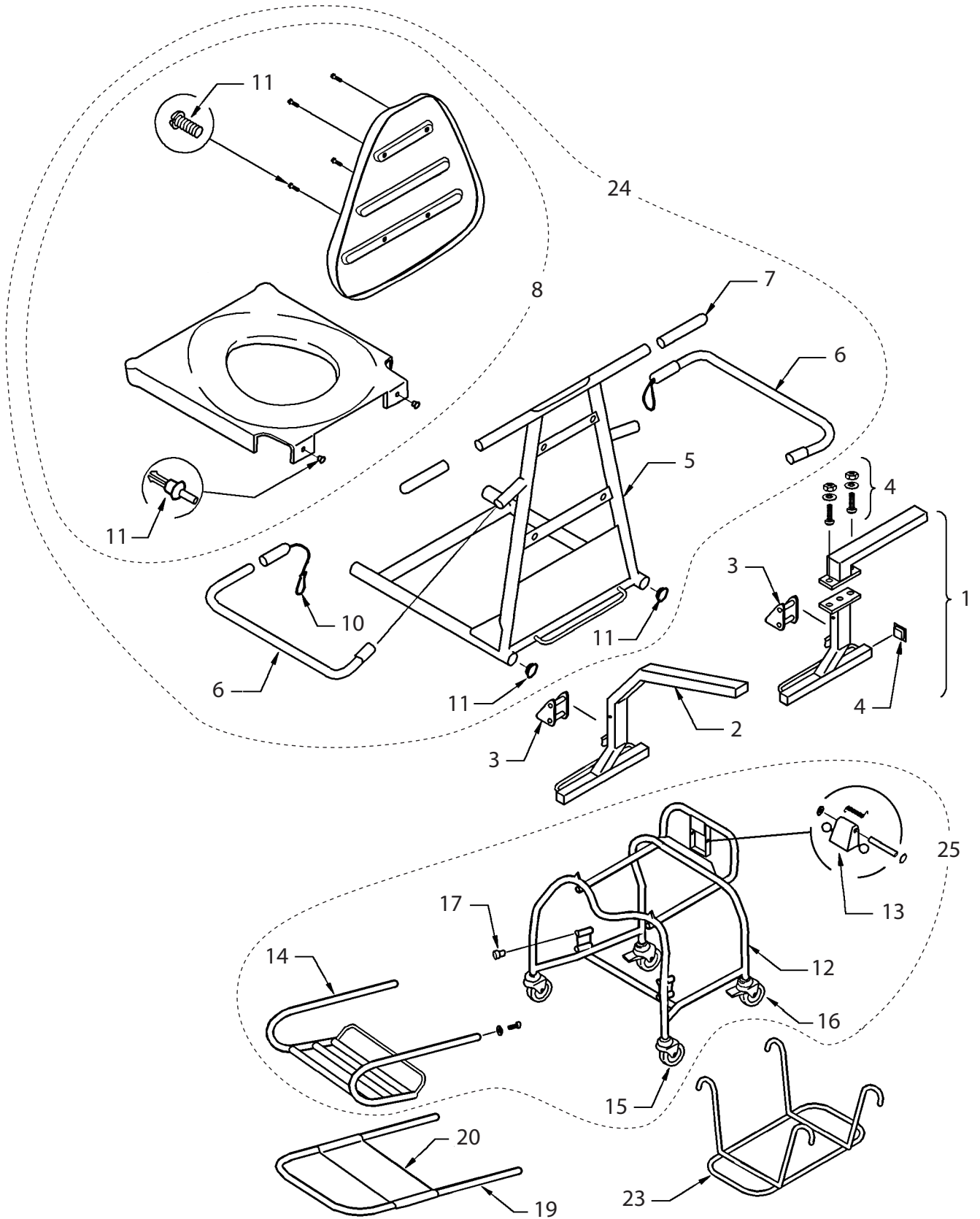
NO.	PART NUMBER	DESCRIPTION	QTY	SERIAL NO.
1	80008	Seat arm security screw (5/16 UNF) (prior to 1997)	1	
2	324-02010	Seat arm security screw (M8) (1997 onwards)	1	
3	808003.10067	Mermaid seat support arm complete - side fit	Kit	
4	808003.10068	Mermaid seat support arm complete - end fit	Kit	
5	808003.10069	Mermaid seat frame	Kit	
6	808003.10070	Mermaid plastic seat	Kit	
7	808003.10071	Safety arms complete	Kit	
8	323-11010	Handgrip	1	
9	808003.10072	Safety arms pivot complete	Kit	
10	808003.10073	Mermaid commode seat frame	Kit	
11	808003.10074	Commode plastic seat complete (seat, backrest & fixings)	Kit	
12	808003.10075	Padded Mermaid seat complete - standard seat	Kit	
13	808003.10077	Mermaid seat fixings & trims	Kit	
14	808003.10078	Commode seat fixings & trims	Kit	
15	322-42030	Plastic feet (not shown)	Kit	
16	80017	Large round seat plugs (not shown)	9	
17	80049	Small round seat plugs (black)	3	
18	80013	Seat complete (frame, arms, arm pivot, seat & backrest moulding)	Kit	



Kit NO.	PART NUMBER	DESCRIPTION	QTY	SERIAL NO.
1	MX/3674	Plastic main cover	1	
2	EL/3868	Hand control socket - (3 pin axl - wired)	1	
3	EL/3867	Emergency raise switch - wired (old switch - square)	1	
	EL/3872	Emergency raise switch - wired (new switch - oblong)	1	
4	331-00008	Cable gland	1	
5	EL/3866	Power/charger plug (straight) - wired	1	
6	808003.10088	Motor complete	Kit	
7	348-10012	Woodruff key - motor shaft	1	
8	808003.10089	Driveshaft complete	Kit	
9	808003.10090	Motor mounting complete	Kit	
10	EL/3870	Microswitch limit switch - wired	1	
11	808003.10091	PCB mounting plate complete	Kit	
12	000934.10201	PCB mounting pillar	4	
13	200001.10350	Control PCB - Clarkes	1	
14	332-00035	Edge connector - PCB	1	
15	MX/3607	Leadscrew coupling / stop collar	1	
16	000936.10350	Leadscrew coupling pin / spirol pin (M5 X 30)	1	
17	808003.10092	Battery box mounting bracket complete	Kit	
18	808003.10093	Splash guard complete	Kit	
19	MX/3885	Hand control	1	
20	TS-2923W	Power pack complete	1	
21	337-00050	Battery 12VDC 3.2AHR	1	
22	0P10005	Retro-fit kit (excluding charger) (not shown)	Kit	
23	338-00090	Charger (not shown)	1	
24	MX/3757	Drilling jig (not shown)	1	
25	332-00085	Power charger socket (not shown)	1	
26	808003.10017	Emergency stop button (not shown)	1	
27	EL-3712	Power plug (not shown)	1	



NO.	PART NUMBER	DESCRIPTION	QTY	SERIAL NO.
1	808003.10079	Ranger seat support arm - side fit (Mermaid only)	Kit	
2	808003.10080	Ranger seat support arm - end fit (Mermaid only)	Kit	
3	808003.10155	Arm safety latch complete	Kit	
4	808003.10156	Ranger arms fixings & fittings kit (pack of 10)	Kit	
5	808003.10081	Ranger chair frame only	Kit	
6	808003.10082	Armrests complete	Kit	
7	323-11010	White hand grip	1	
8	808003.10074	Seat, backrest & fixings	1	
9	0P10011	Seat moulding - plain (shower seat) (not shown)	1	
10	808003.10157	Securing hook complete	Kit	
11	808003.10087	Ranger seat fixings & trims	Kit	
12	DT/0201	Transporter frame only	1	
13	808003.10083	Transporter safety latch	Kit	
14	808003.10084	Foot rest assembly	Kit	
15	311-42110	Castor 100mm plain (Tente)	2	
16	311-41110	Castor 100mm braked (Tente)	2	
17	DT/2183	Foot rest bush	8	
18	808003.10158	Transporter fixing & fittings kit (not shown)	Kit	
19	808003.10085	MD leg support	Kit	
20	0P10009	Leg support fabric	2	
21	808003.10086	MD padded seat complete (not shown)	Kit	
22	83042	Bed pan (not shown)	1	
23	0P10010	Bed pan cradle	1	
24	83013	Ranger seat complete	Kit	
25	83035	Ranger Transporter complete	Kit	





Joerns Healthcare Ltd

Drakes Broughton Business Park, Worcester Road

Drakes Broughton, Pershore, Worcestershire

WR10 2AG, United Kingdom

Tel: +44 (0)844 811 1156

Fax: +44 (0)844 811 1157

info@joerns.co.uk

www.joerns.co.uk